

Contents

American National Standards

Call for Comment on Standards Proposals	2
Call for Members (ANS Consensus Bodies)	23
Final Actions	30
Project Initiation Notification System (PINS)	33
ANS Maintained Under Continuous Maintenance	43
ANSI-Accredited Standards Developers Contact Information	44

International Standards

ISO and IEC Draft Standards	47
ISO and IEC Newly Published Standards	50
Proposed Foreign Government Regulations	53
Information Concerning	54

American National Standards

Call for comment on proposals listed

This section solicits public comments on proposed draft new American National Standards, including the national adoption of ISO and IEC standards as American National Standards, and on proposals to revise, reaffirm or withdraw approval of existing American National Standards. A draft standard is listed in this section under the ANSI-accredited standards developer (ASD) that sponsors it and from whom a copy may be obtained. Comments in connection with a draft American National Standard must be submitted in writing to the ASD no later than the last day of the comment period specified herein. Such comments shall be specific to the section(s) of the standard under review and include sufficient detail so as to enable the reader to understand the commenter's position, concerns and suggested alternative language, if appropriate. Please note that the ANSI Executive Standards Council (ExSC) has determined that an ASD has the right to require that interested parties submit public review comments electronically, in accordance with the developer's procedures.

Ordering Instructions for "Call-for-Comment" Listings

1. **Order from the organization indicated for the specific proposal.**
2. **Use the full identification in your order, including the BSR prefix; for example, Electric Fuses BSR/SAE J554.**
3. **Include remittance with all orders.**
4. **BSR proposals will not be available after the deadline of call for comment.**

Comments should be addressed to the organization indicated, with a copy to the Board of Standards Review, American National Standards Institute, 25 West 43rd Street, New York, NY 10036. Fax: 212-840-2298; e-mail: psa@ansi.org

* Standard for consumer products

Comment Deadline: June 14, 2020

NSF (NSF International)

789 N. Dixboro Road, Ann Arbor, MI 48105-9723 ph: (734) 827-3817 www.nsf.org

Revision

BSR/NSF 49-202x (i150r1), Biosafety Cabinetry: Design, Construction, Performance, and Field Certification (revision of ANSI/NSF 49-2019)

This Standard applies to Class II (laminar flow) biosafety cabinetry designed to minimize hazards inherent in work with agents assigned to biosafety levels 1, 2, 3, or 4. It also defines the tests that shall be passed by such cabinetry to meet this Standard. This Standard includes basic requirements for the design, construction, and performance of biosafety cabinets (BSCs) that are intended to provide personnel, product, and environmental protection; reliable operation; durability and structural stability; cleanability; limitations on noise level; illumination; vibration; and motor/blower performance.

[Click here to view these changes in full](#)

Send comments (with optional copy to psa@ansi.org) to: arose@nsf.org

NSF (NSF International)

789 N. Dixboro Road, Ann Arbor, MI 48105-9723 ph: (734) 827-3817 www.nsf.org

Revision

BSR/NSF 49-202x (i154r1), Biosafety Cabinetry: Design, Construction, Performance, and Field Certification (revision of ANSI/NSF 49-2019)

This Standard applies to Class II (laminar flow) biosafety cabinetry designed to minimize hazards inherent in work with agents assigned to biosafety levels 1, 2, 3, or 4. It also defines the tests that shall be passed by such cabinetry to meet this Standard. This Standard includes basic requirements for the design, construction, and performance of biosafety cabinets (BSCs) that are intended to provide personnel, product, and environmental protection; reliable operation; durability and structural stability; cleanability; limitations on noise level; illumination; vibration; and motor/blower performance.

[Click here to view these changes in full](#)

Send comments (with optional copy to psa@ansi.org) to: arose@nsf.org

UL (Underwriters Laboratories)

333 Pfingsten Road, Northbrook, IL 60062 ph: (847) 664-3198 <https://ul.org/>

Revision

BSR/UL 583-202x, Standard for Safety for Electric-Battery-Powered Industrial Trucks (revision of ANSI/UL 583-2018)

(1) Proposed revision to 17.1.3 to exempt lamps in an LVLE circuit from mechanical damage protection requirements; (2) Proposed revision to 12.1.1 to specify wiring that is not exposed to sulfuric acid is not required to be evaluated; and (3) Proposed revisions to 22.4.1 and 22.4.2 to more closely align the temperature test for tractors with correlating tests in ANSI/ITSDF B56.9.

[Click here to view these changes in full](#)

Send comments (with optional copy to psa@ansi.org) to: Follow the instructions in the following website to enter comments into the CSDS Work Area: <https://csds.ul.com/Home/ProposalsDefault.aspx>

UL (Underwriters Laboratories)

12 Laboratory Drive, Research Triangle Park, NC 27709-3995 ph: (919) 549-1007 <https://ul.org/>

Revision

BSR/UL 588-202x, Standard for Safety for Seasonal and Holiday Decorative Products (revision of ANSI/UL 588-2018)

Proposal to revise 121.2 for consistency with previous updates.

[Click here to view these changes in full](#)

Send comments (with optional copy to psa@ansi.org) to: Follow the instructions in the following website to enter comments into the CSDS Work Area: <https://csds.ul.com/Home/ProposalsDefault.aspx>

Comment Deadline: June 14, 2020

UL (Underwriters Laboratories)

333 Pfingsten Road, Northbrook, IL 60062 ph: (847) 664-1292 <https://ul.org/>

Revision

BSR/UL 1062-202x, Standard for Safety for Unit Substations (revision of ANSI/UL 1062-2014 (R2019))

This proposal for UL 1062 covers: Revisions to align with service equipment requirements from NFPA 70.

[Click here to view these changes in full](#)

Send comments (with optional copy to psa@ansi.org) to: Follow the instructions in the following website to enter comments into the CSDS Work Area: <https://csds.ul.com/Home/ProposalsDefault.aspx>

UL (Underwriters Laboratories)

12 Laboratory Drive, Research Triangle Park, NC 27709-3995 ph: (919) 549-1636 <https://ul.org/>

Revision

BSR/UL 2231-2-202x, Standard for Safety for Personnel Protection Systems for Electric Vehicle (EV) Supply Circuits - Part 2: Particular Requirements for Protection Devices for Use in Charging Systems (revision of ANSI/UL 2231-2-2016)

Revision to requirements for isolated circuit systems - capacitor switching.

[Click here to view these changes in full](#)

Send comments (with optional copy to psa@ansi.org) to: Follow the instructions in the following website to enter comments into the CSDS Work Area: <https://csds.ul.com/Home/ProposalsDefault.aspx>

Comment Deadline: June 29, 2020

AAFS (American Academy of Forensic Sciences)

410 North 21st Street, Colorado Springs, CO 80904 ph: (719) 453-1036 www.aafs.org

New Standard

BSR/ASB BPR 060-202x, Guidelines for Barrel and Overall Length Measurements for Firearms (new standard)

This document provides the guidelines for measuring and reporting barrel length and overall length (BL-OL) of firearms, including guidelines for measurement traceability and estimating uncertainty of BL-OL measurements. This document does not apply to descriptive measurements of firearms.

Single copy price: Free

Obtain an electronic copy from: Document and comments template can be viewed on the AAFS Standards Board website at: <http://www.asbstandardsboard.org/notice-of-standard-development-and-coordination/>

Order from: Document will be provided electronically on AAFS Standards Board website (www.asbstandardsboard.org) free of charge.

Send comments (with optional copy to psa@ansi.org) to: asb@aafs.org

ANS (American Nuclear Society)

555 North Kensington Avenue, La Grange Park, IL 60526 ph: (708) 579-8268 www.ans.org

Revision

BSR/ANS 18.1-202x, Radioactive Source Term for Normal Operation of Light Water Reactors (revision of ANSI/ANS 18.1-2016)

This standard provides a set of typical radionuclide concentrations for estimating the radioactivity in the principal fluid systems of light water reactors and for projecting the expected releases of radioactivity from nuclear plants. It is not intended that the values be used as the sole basis for design but be used in environmental reports and elsewhere where expected operating conditions over the life of the plant would be appropriate.

Single copy price: \$112.00

Obtain an electronic copy from: orders@ans.org

Order from: orders@ans.org

Send comments (with optional copy to psa@ansi.org) to: pschroeder@ans.org

Comment Deadline: June 29, 2020

API (American Petroleum Institute)

200 Massachusetts Avenue NW, Washington, DC 20001 ph: (202) 330-9306 www.api.org

Revision

BSR/API STANDARD 2350-202x, Overfill Prevention for Atmospheric Storage Tanks in Petroleum Facilities (revision of ANSI/API STANDARD 2350-2012)

This document applies to atmospheric storage tanks associated with refining, marketing, pipeline, and terminals that contain NFPA Class I or Class II liquids. The purpose of this standard is to assist Owner/Operators and operating personnel in the prevention of tank overfilling by implementation of a comprehensive overfill prevention system (OPS). The goal is to receive product into the intended storage tank without overfilling or mechanical damage.

Single copy price: \$113.00

Obtain an electronic copy from: godoyj@api.org

Send comments (with optional copy to psa@ansi.org) to: godoyj@api.org

ASHRAE (American Society of Heating, Refrigerating and Air-Conditioning Engineers, Inc.)

1791 Tullie Circle, NE, Atlanta, GA 30329 ph: (404) 636-8400 www.ashrae.org

Addenda

BSR/ASHRAE Addendum a to BSR/ASHRAE Standard 140-202x, Standard Method of Test for the Evaluation of Building Energy Analysis Computer Programs (addenda to ANSI/ASHRAE Standard 140-2014)

The purpose of this addendum is to update the test cases of Sections 5.2.1, 5.2.2, and 5.2.3 of Standard 140, for testing the ability of whole-building energy simulation programs to model the building thermal fabric.

Single copy price: \$35.00

Obtain an electronic copy from: <http://www.ashrae.org/standards-research--technology/public-review-drafts>

Order from: standards.section@ashrae.org

Send comments (with optional copy to psa@ansi.org) to: <http://www.ashrae.org/standards-research--technology/public-review-drafts>

ASSP (ASC A10) (American Society of Safety Professionals)

520 N. Northwest Hwy., Park Ridge, IL 60068 ph: (847) 768-3475 www.assp.org

Revision

BSR/ASSP A10.5-202x, Safety Requirements for Material Hoists (revision of ANSI/ASSP A10.5 2013)

This standard applies to material hoists used to raise or lower materials during construction, alteration, or demolition. It is not applicable to the temporary use of permanently installed personnel elevators as material hoists.

Single copy price: \$110.00

Order from: Lauren Bauerschmidt, (847) 768-3475, LBauerschmidt@assp.org

Send comments (with optional copy to psa@ansi.org) to: Same

ASSP (Safety) (American Society of Safety Professionals)

520 N. Northwest Highway, Park Ridge, IL 60068 ph: (847) 699-2929 www.assp.org

Revision

BSR/ASSP Z117.1-202X, Safety Requirements for Entering Confined Spaces (revision and redesignation of ANSI ASSE Z117.1-2016)

This standard provides minimum safety requirements to be followed while entering, exiting, and working in confined spaces at ambient atmospheric pressure.

Single copy price: \$110.00

Obtain an electronic copy from: omunteanu@assp.org

Send comments (with optional copy to psa@ansi.org) to: omunteanu@assp.org

Comment Deadline: June 29, 2020

ATIS (Alliance for Telecommunications Industry Solutions)

1200 G Street NW, Suite 500, Washington, DC 20005 ph: (202) 628-6380 www.atis.org

Revision

BSR/ATIS 0600015.09-202x, Methodology for Measurement and Reporting of Base Station Metrics for Telecommunication Equipment: Power Consumption and Energy Performance (revision of ANSI/ATIS 0600015.09-2015)

This document defines the methodology to be used by vendors and third party test laboratories in the determination of base-station input power and energy efficiency.

Single copy price: \$145.00

Obtain an electronic copy from: dgreco@atis.org

Send comments (with optional copy to psa@ansi.org) to: dgreco@atis.org

ATIS (Alliance for Telecommunications Industry Solutions)

1200 G Street NW, Suite 500, Washington, DC 20005 ph: (202) 628-6380 www.atis.org

Revision

BSR/ATIS 0600017-202x, Non-Halogenated DC Power Wire and Cable for Telecommunications Power Systems (revision of ANSI/ATIS 0600017-2014)

This standard establishes a minimum requirement for non-halogenated DC power cable used to connect telecommunications DC power systems to telecommunications load equipment. It will also be used to interconnect elements of the DC power system.

Single copy price: \$145.00

Obtain an electronic copy from: dgreco@atis.org

Send comments (with optional copy to psa@ansi.org) to: dgreco@atis.org

ATIS (Alliance for Telecommunications Industry Solutions)

1200 G Street NW, Suite 500, Washington, DC 20005 ph: (202) 628-6380 www.atis.org

Revision

BSR/ATIS 0600331-202x, Description of Above-Baseline Physical Threats to Telecommunications Links (revision of ANSI/ATIS 0600331-2015)

This standard provides a common understanding of the nature of above-baseline physical threats that can place stress on telecommunications links. This common understanding will provide a basis for discussion and planning, to both providers and users of telecommunications links, when developing protection measures over and above those generally applied by service providers.

Single copy price: \$60.00

Obtain an electronic copy from: dgreco@atis.org

Send comments (with optional copy to psa@ansi.org) to: dgreco@atis.org

ATIS (Alliance for Telecommunications Industry Solutions)

1200 G Street NW, Suite 500, Washington, DC 20005 ph: (202) 628-6380 www.atis.org

Revision

BSR/ATIS 0600332-202x, Electrical Protection of Network-Powered Broadband Facilities (revision of ANSI/ATIS 0600332-2015)

This standard provides the minimum electrical protection requirements intended to mitigate the disruptive and damaging effects of lightning and ac power faults to broadband facilities. Disturbances from lightning and ac power line faults may be disruptive to broadband service and may also result in damage to the broadband plant and equipment. Head ends, switching centers and similar type facilities, outside plant cables, and the interface point at customer locations are often exposed to such disturbances, either directly or through the broadband cables and ac power facilities that serve them. Telecommunications service providers employ electrical protection measures and bonding and ground techniques to reduce the effects of such disturbances.

Single copy price: \$145.00

Obtain an electronic copy from: dgreco@atis.org

Send comments (with optional copy to psa@ansi.org) to: dgreco@atis.org

Comment Deadline: June 29, 2020

ATIS (Alliance for Telecommunications Industry Solutions)

1200 G Street NW, Suite 500, Washington, DC 20005 ph: (202) 628-6380 www.atis.org

Stabilized Maintenance

BSR/ATIS 0500019-2010 (S202x), Request for Assistance Interface (RFAI) Specification (stabilized maintenance of ANSI/ATIS 0500019-2010 (R2015))

This ATIS Standard defines the Request For Assistance Interface (RFAI) between the Emergency Services Next Generation Network (ES-NGN) and a Public Safety Answering Point (PSAP). Initially, Requests for Assistance are emergency voice calls and RFAI defines the foundation for supporting future types of Requests for Assistance. The RFAI specification may be used by PSAP CPE vendors and Network Equipment Providers that are implementing IP-based solutions as part of the transition and evolution to the Next Generation 9-1-1 emergency services (NG9-1-1).

Single copy price: \$275.00

Obtain an electronic copy from: dgreco@atis.org

Send comments (with optional copy to psa@ansi.org) to: dgreco@atis.org

AWWA (American Water Works Association)

6666 W. Quincy Ave., Denver, CO 80235 ph: (303) 347-6178 www.awwa.org

Revision

BSR/AWWA C110/A21.10-202x, Ductile-Iron and Gray-Iron Fittings (revision of ANSI/AWWA C110/A21.10-2012)

This standard describes 3- to 48-in. (80- to 1,200-mm) gray-iron or ductile-iron fittings to be used with ductile-iron pipe for potable water, wastewater, and reclaimed water for a temperature range of 33°–120°F (0.6°–49°C).

Single copy price: Free

Obtain an electronic copy from: polson@awwa.org

Order from: Paul Olson, (303) 347-6178, polson@awwa.org

Send comments (with optional copy to psa@ansi.org) to: Same

ESTA (Entertainment Services and Technology Association)

630 Ninth Avenue, Suite 609, New York, NY 10036-3748 ph: (212) 244-1505 www.esta.org

Revision

BSR E1.6-1-202x, Entertainment Technology - Powered Hoist Systems (revision of ANSI E1.6-1-2019)

ANSI E1.6-1-2019 was opened for revision, limited to section 6.6 of the standard. The revision was necessary to correct errata in that section only. Public review comments are limited only to the revisions made to that section.

Single copy price: Free

Obtain an electronic copy from: https://tsp.esta.org/tsp/documents/public_review_docs.php

Order from: Richard Nix, (212) 244-1505, standards@esta.org

Send comments (with optional copy to psa@ansi.org) to: standards@esta.org

ESTA (Entertainment Services and Technology Association)

630 Ninth Avenue, Suite 609, New York, NY 10036-3748 ph: (212) 244-1505 www.esta.org

Revision

BSR E1.39-202x, Entertainment Technology - Selection and Use of Personal Fall Arrest Systems on Portable Structures Used in the Entertainment Industry (revision of ANSI E1.39-2015)

ANSI E1.39 is being revised and updated to reflect changes in technology and to correspond with current industry practice. This standard establishes minimum requirements for the selection and use of personal fall arrest systems (PFAS) on portable structures in the entertainment industry. It also establishes minimum requirements for products and portable structures used in the service of PFAS. The requirements for other methods used to protect workers from fall hazards such as safety nets, guard rails, and rope access techniques are not included in this standard. This standard does not preclude the use of other appropriate standards to promote fall protection safety

Single copy price: Free

Obtain an electronic copy from: https://tsp.esta.org/tsp/documents/public_review_docs.php

Order from: Richard Nix, (212) 244-1505, standards@esta.org

Send comments (with optional copy to psa@ansi.org) to: standards@esta.org

Comment Deadline: June 29, 2020

FCI (Fluid Controls Institute)

1300 Sumner Avenue, Cleveland, OH 44115 ph: (216) 241-7333 www.fluidcontrolsinstitute.org

Revision

BSR/FCI 99-1-202x, Standard for Performance Testing of Secondary Pressure Drainers (revision of ANSI/FCI 99-1-2014)

This standard specifies performance tests that are considered to be applicable to secondary pressure drainers. These tests may be conducted to evaluate the performance of a particular design, either currently in production or under consideration for production.

Single copy price: Free

Obtain an electronic copy from: fci@fluidcontrolsinstitute.org

Send comments (with optional copy to psa@ansi.org) to: Leslie Schraff, fci@fluidcontrolsinstitute.org

IAPMO (ASSE Chapter) (ASSE International Chapter of IAPMO)

18927 Hickory Creek Drive, Suite 220, Mokena, IL 60448 ph: (708) 995-3017 www.asse-plumbing.org

Revision

BSR/ASSE 1037/ASME A112.1037/CSA B125.37-202x, Performance Requirements for Pressurized Flushing Devices for Plumbing Fixtures (revision of ANSI/ASSE 1037-2015/ASME A112.1037-2015/CSA B125.37-2015 (R2020))

This Standard covers pressurized flushing devices (PFDs) intended to flush water closets, urinals, and other plumbing fixtures and specifies requirements for materials, design, methods of operation, test methods, and markings.

Single copy price: \$110.00

Obtain an electronic copy from: chris@asse-plumbing.org

Send comments (with optional copy to psa@ansi.org) to: chris@asse-plumbing.org

IAPMO (ASSE Chapter) (ASSE International Chapter of IAPMO)

18927 Hickory Creek Drive, Suite 220, Mokena, IL 60448 ph: (708) 995-3017 www.asse-plumbing.org

Revision

BSR/CAN/IAPMO/ASSE 1055-202x, Performance Requirements for Chemical Dispensers with Integral Backflow Protection (revision and redesignation of ANSI/ASSE 1055-2018)

Chemical dispensing systems provide a means of mixing potable water with chemicals to provide the user with a chemical solution which is ready for use. The amount of dilution shall be fixed or adjustable. Devices covered by this standard are intended for stationary installations, mobile devices where the orientations are fixed, and hand-held devices.

Single copy price: \$45.00

Obtain an electronic copy from: chris@asse-plumbing.org

Send comments (with optional copy to psa@ansi.org) to: chris@asse-plumbing.org

IAPMO (Z) (International Association of Plumbing & Mechanical Officials)

5001 East Philadelphia Street, Ontario, CA 91761 ph: (909) 230-5534 <https://www.iapmostandards.org>

New Standard

BSR/IAPMO ES1000-202x, Spray-Applied Polyurethane Foam (new standard)

This standard provides a method for determining building code compliance for Spray-applied Polyurethane Foam (SPF) used for insulation, roofing, and sealant applications; associated materials; and building assemblies incorporating SPF and associated materials. It is intended to serve as the basis for evaluation reports that are prepared to assist building officials in determining when materials and assemblies meet the prescriptive requirements or intent of the building code. This standard includes: (a) General building code requirements; (b) Test methodology for special approval and alternative methods and assemblies for selected applications where building codes are not specific; (c) Material physical property requirements; (d) Test laboratory qualifications and requirements; (e) Test report requirements; (f) Requirements for third-party quality control agencies and procedures; (g) Certification requirements; and (h) Test sample preparation and witnessing.

Single copy price: Free

Obtain an electronic copy from: https://iapmomembership.org/index.php?page=shop.product_details&flypage=flypage_iapmo.tpl&product_id=1517&category_id=71&keyword=ES1000&option=com_virtuemart&Itemid=3&redirected=1&Itemid=3&vmcchk=1&Itemid=3

Order from: Kyle Thompson, (909) 230-5534, standards@iapmostandards.org

Send comments (with optional copy to psa@ansi.org) to: Same

Comment Deadline: June 29, 2020

IEEE (ASC N42) (Institute of Electrical and Electronics Engineers)

445 Hoes Lane, Piscataway, NJ 08854 ph: (732) 562-3874 www.ieee.org

Addenda

BSR N42.34a-202x, Standard Performance Criteria for Handheld Instruments for the Detection and Identification of Radionuclides Amendment (addenda to ANSI N42.34-2015)

Performance specifications and testing methods for the evaluation of handheld instruments (also known as radionuclide identification devices or RIDs) used for the detection and identification of radionuclides, which emit gamma rays and, in some cases, neutrons, are contained in this standard. The specifications for general, radiological, environmental, electromagnetic, and mechanical performances are given and the corresponding testing methods are described. The documentation to be provided by the manufacturer is listed as part of the requirements. Normative and informative annexes that provide guidance for the implementation of this standard are also included.

Single copy price: Free

Obtain an electronic copy from: j.santulli@ieee.org

Order from: Jennifer Santulli, (732) 562-3874, J.Santulli@ieee.org

Send comments (with optional copy to psa@ansi.org) to: Same

ISEA (International Safety Equipment Association)

1901 North Moore Street, Suite 808, Arlington, VA 22209 ph: (703) 525-1695 www.safetysafetyequipment.org

Revision

BSR/ISEA 107-202x, High-Visibility Safety Apparel (revision of ANSI/ISEA 107-2015)

This standard specifies performance requirements for high-visibility safety apparel intended to provide conspicuity to the occupational wearer. Performance requirements are included for color, retroreflection, physical properties and minimum areas of background, retroreflective and combined-performance materials, as well as the configuration and visible material amounts required for the designated class of apparel. Test methods are provided in the standard to ensure that a minimum level of visibility is maintained when garments are subjected to ongoing care procedures.

Single copy price: \$60.00

Obtain an electronic copy from: www.safetysafetyequipment.org/resources/shop

Send comments (with optional copy to psa@ansi.org) to: cfargo@safetysafetyequipment.org

NECA (National Electrical Contractors Association)

3 Bethesda Metro Center, Suite 1100, Bethesda, MD 20814 ph: (301) 215-4549 www.neca-neis.org

Revision

BSR/NECA 411-202X, Installing and Maintaining Uninterruptible Power Supplies (revision of ANSI/NECA 411-2014)

This standard describes installation and maintenance procedures for permanently installed, static, three-phase Uninterruptible Power Supplies (UPSs) rated 30 kVA or more and rated 600 Volts or less, and related battery systems installed indoors or outdoors for commercial and industrial applications.

Single copy price: \$25.00 (NECA Members), \$55.00 (Non-members)

Obtain an electronic copy from: neis@necanet.org

Order from: Aga Golriz, (301) 215-4549, Aga.golriz@necanet.org

Send comments (with optional copy to psa@ansi.org) to: Same

Comment Deadline: June 29, 2020

NEMA (ASC C136) (National Electrical Manufacturers Association)

1300 North 17th Street, Suite 900, Rosslyn, VA 22209 ph: (703) 841-3234 www.nema.org

Revision

BSR C136.14-202X, Elliptically Shaped, Enclosed Side-Mounted Luminaires (revision of ANSI C136.14-2014)

This standard covers dimensional, maintenance and light distribution features that permit the interchange of enclosed side-mounted luminaires for horizontal-burning high-intensity discharge (HID) lamps, solid state lighting (LED) sources, and other light sources used in roadway and area lighting equipment. This type of luminaire has traditionally been used for street or roadway lighting and has commonly been referred to as cobrahead-style luminaires. Luminaires of similar size, shape, and weight meeting the requirements of this standard may be used interchangeably within a system with assurance that: a) They will fit the bracket arm. b) Pole strength requirements will not change.

Single copy price: \$48.00

Obtain an electronic copy from: David.Richmond@nema.org

Order from: David Richmond, (703) 841-3234, David.Richmond@nema.org

Send comments (with optional copy to psa@ansi.org) to: Same

NEMA (ASC C136) (National Electrical Manufacturers Association)

1300 North 17th Street, Suite 900, Rosslyn, VA 22209 ph: (703) 841-3234 www.nema.org

Revision

BSR C136.15-202x, Roadway and Area Lighting Equipment - Luminaire Field Identification (revision of ANSI C136.15-2015)

The intent of this standard is to provide a simple, uniform method for identifying the type and wattage rating of a luminaire used for roadway and area lighting.

Single copy price: \$37.00

Obtain an electronic copy from: David.Richmond@nema.org

Order from: David Richmond, (703) 841-3234, David.Richmond@nema.org

Send comments (with optional copy to psa@ansi.org) to: Same

NEMA (ASC C8) (National Electrical Manufacturers Association)

1300 North 17th Street, Rosslyn, VA 22209 ph: (703) 841-3278 www.nema.org

Revision

BSR NEMA WC 27500-202x, Standard for Aerospace and Industrial Electrical Cable (revision of ANSI/NEMA WC 27500-2015)

This standard contains requirements for finished cables. Component wires are covered by other referenced standards. These cables are intended for signal and low-voltage power applications with defined environment or temperature conditions found in commercial aircraft, military aircraft, and high performance vehicles.

Single copy price: \$105.00

Obtain an electronic copy from: KHALED.MASRI@NEMA.ORG

Order from: Khaled Masri, (703) 841-3278, Khaled.Masri@nema.org

Send comments (with optional copy to psa@ansi.org) to: Same

UL (Underwriters Laboratories)

47173 Benicia Street, Fremont, CA 94538 ph: (510) 319-4297 <https://ul.org/>

Reaffirmation

BSR/UL 4703-2014 (R202x), Standard for Safety for Photovoltaic Wire (reaffirmation of ANSI/UL 4703-2014)

Reaffirmation of UL 4703.

Single copy price: Free

Obtain an electronic copy from: <https://csds.ul.com/Home/ProposalsDefault.aspx>

Order from: <http://www.shopulstandards.com>

Send comments (with optional copy to psa@ansi.org) to: Follow the instructions in the following website to enter comments into the CSDS Work Area: <https://csds.ul.com/Home/ProposalsDefault.aspx>

Comment Deadline: June 29, 2020

UL (Underwriters Laboratories)

12 Laboratory Drive, Research Triangle Park, NC 27709-3995 ph: (919) 549-0922 <https://ul.org/>

Revision

BSR/UL 746E-202X, Standard for Safety for Polymeric Materials - Industrial Laminates, Filament Wound Tubing, Vulcanized Fibre, and Materials Used In Printed-Wiring Boards (revision of ANSI/UL 746E-2016)

This proposal for UL 746E covers: (1) Clarify stabilization period requirement; (2) Update characterization of materials for IR testing; (3) Update Table 8.1 and Table 9.1 and Clause 9.3 to show actual number of samples required for flex strength testing; (4) Clarify requirements in Section 9.9; (5) Change the title and text for Section 11; (6) Relocate Sections 19 and 20 (Flex Films and Metal Base Laminates) to new Sections 11B and 11A; (7) Clarify vulcanized fibre testing and sample requirements in Table 13.1; (8) Clarify testing and sample requirements for filament wound tubing in Table 15.1; (9) Clarify the conformal coating sample construction requirements in Section 22.2.1; (10) Clarify the conformal coating sample requirements in Table 22.1, Section 22.5, and Section 22.6.1.5; (11) Clarify microsection analysis process based on changes to the referenced IPC test method; (12) Add alternate test methods for halogen content testing; (13) Standardized assembly soldering process profiles; (14) Clarify Clause 7.17 reference to epoxy resin; and (15) Align PWB and PCB definitions with industry use.

Single copy price: Free

Obtain an electronic copy from: <https://csds.ul.com/Home/ProposalsDefault.aspx>

Order from: <http://www.shopulstandards.com>

Send comments (with optional copy to psa@ansi.org) to: Follow the instructions in the following website to enter comments into the CSDS Work Area: <https://csds.ul.com/Home/ProposalsDefault.aspx>

UL (Underwriters Laboratories)

12 Laboratory Drive, Research Triangle Park, NC 27709-3995 ph: (919) 549-0922 <https://ul.org/>

Revision

BSR/UL 796-202x, Standard for Safety for Printed Wiring Boards (revision of ANSI/UL 796-2016)

This proposal for UL 796 covers: (1) Revisions to the definitions to align with industry use; (2) Clarify stabilization period requirements; (3) Clarify the title of Table 9.3 based on changes in UL 746E; (4) Update reference for Figure 10.1; (5) Clarify the multiple types of multilayer printed wiring boards and define the hybrid PWB requirements in new Section 17A; (6) Move the current requirements for HDI printed wiring boards to new Section 17B; (7) Clarify current requirements for metal-base printed wiring boards; (8) Relocate Figures 21.1 – 21.15 to Annex A; (9) Clarify microsection analysis process based on changes to the referenced IPC test method; (10) Clarification of requirements for solder limit evaluation for laminates and PWBs; (11) Add evaluation for conductive coins; (12) Conductor pattern requirements in Clause 10.7.1 and Figure 10.1; and (13) Clarify thermal stress conditioning for Conductive Paste Adhesion test.

Single copy price: Free

Obtain an electronic copy from: <https://csds.ul.com/Home/ProposalsDefault.aspx>

Order from: <http://www.shopulstandards.com>

Send comments (with optional copy to psa@ansi.org) to: Follow the instructions in the following website to enter comments into the CSDS Work Area: <https://csds.ul.com/Home/ProposalsDefault.aspx>

UL (Underwriters Laboratories)

12 Laboratory Drive, Research Triangle Park, NC 27709-3995 ph: (919) 549-1851 <https://ul.org/>

Revision

BSR/UL 121203-202x, Recommended Practice for Portable/Personal Electronic Products Suitable for Use in Class I, Division 2, Class I, Zone 2, Class II, Division 2, Class III, Division 1, Class III, Division 2, Zone 21 and Zone 22 Hazardous (Classified) Locations (revision and redesignation of ANSI/UL 121203-2011 (R2015))

This proposal for UL 121203 covers: revisions to redesignate the Standard for Safety for Portable Electronic Products Suitable for Use in Class I and II, Division 2, Class I, Zone 2 and Class III, Division 1 and 2 Hazardous (Classified) Locations to the Recommended Practice for Portable/Personal Electronic Products Suitable for Use in Class I, Division 2, Class I, Zone 2, Class II, Division 2, Class III, Division 1, Class III, Division 2, Zone 21 and Zone 22 Hazardous (Classified) Locations.

Single copy price: Free

Obtain an electronic copy from: <https://csds.ul.com/Home/ProposalsDefault.aspx>

Order from: <http://www.shopulstandards.com>

Send comments (with optional copy to psa@ansi.org) to: Follow the instructions in the following website to enter comments into the CSDS Work Area: <https://csds.ul.com/Home/ProposalsDefault.aspx>

Comment Deadline: July 14, 2020

ITI (INCITS) (InterNational Committee for Information Technology Standards)

700 K Street NW, Suite 600, Washington, DC 20001 ph: (202) 737-8888 www.incits.org

New National Adoption

Reaffirmations and withdrawals available electronically may be accessed at: webstore.ansi.org

INCITS/ISO 19101-2:2018 [202x], Geographic Information - Reference Model - Part 2: Imagery (identical national adoption of ISO 19101-2:2018)

Defines a reference model for standardization in the field of geographic imagery processing. This reference model identifies the scope of the standardization activity being undertaken and the context in which it takes place. The reference model includes gridded data with an emphasis on imagery. Although structured in the context of information technology and information technology standards, this document is independent of any application development method or technology implementation approach.

Single copy price: \$209.00

Obtain an electronic copy from: <http://webstore.ansi.org/>

Order from: <http://webstore.ansi.org/>

Send comments (with optional copy to psa@ansi.org) to: comments@standards.incits.org

ITI (INCITS) (InterNational Committee for Information Technology Standards)

700 K Street NW, Suite 600, Washington, DC 20001 ph: (202) 737-8888 www.incits.org

New National Adoption

Reaffirmations and withdrawals available electronically may be accessed at: webstore.ansi.org

INCITS/ISO 19115-1:2014/AM 1:2018 [202x], Geographic information - Metadata - Part 1: Fundamentals - Amendment 1 (identical national adoption of ISO 19115-1:2014/AM 1:2018)

Amendment 1 to ISO 19115-1:2014.

Single copy price: \$19.00

Obtain an electronic copy from: <http://webstore.ansi.org/>

Order from: <http://webstore.ansi.org/>

Send comments (with optional copy to psa@ansi.org) to: comments@standards.incits.org

ITI (INCITS) (InterNational Committee for Information Technology Standards)

700 K Street NW, Suite 600, Washington, DC 20001 ph: (202) 737-8888 www.incits.org

New National Adoption

Reaffirmations and withdrawals available electronically may be accessed at: webstore.ansi.org

INCITS/ISO 19123-2:2018 [202x], Geographic Information - Schema for Coverage Geometry and Functions - Part 2: Coverage Implementation Schema (identical national adoption of ISO 19123-2:2018)

Specifies a concrete* implementable, conformance-testable coverage structure based on the abstract schema for coverages defined in the ISO 19123 schema for coverage geometry. This document defines a structure that is suitable for encoding in many encoding formats.

*"concrete" is used here as a contrast to "abstract" in the sense described in the Introduction.

Single copy price: \$162.00

Obtain an electronic copy from: <http://webstore.ansi.org/>

Order from: <http://webstore.ansi.org/>

Send comments (with optional copy to psa@ansi.org) to: comments@standards.incits.org

Comment Deadline: July 14, 2020

ITI (INCITS) (InterNational Committee for Information Technology Standards)

700 K Street NW, Suite 600, Washington, DC 20001 ph: (202) 737-8888 www.incits.org

New National Adoption

Reaffirmations and withdrawals available electronically may be accessed at: webstore.ansi.org

INCITS/ISO 19130-1:2018 [202x], Geographic Information - Imagery Sensor Models for Geopositioning - Part 1: Fundamentals (identical national adoption of ISO 19130-1:2018)

Identifies the information required to determine the relationship between the position of a remotely sensed pixel in image coordinates and its geolocation. It supports exploitation of remotely sensed images. It defines the metadata to be distributed with the image to enable user determination of geographic position from the observations.

Single copy price: \$232.00

Obtain an electronic copy from: <http://webstore.ansi.org/>

Order from: <http://webstore.ansi.org/>

Send comments (with optional copy to psa@ansi.org) to: comments@standards.incits.org

ITI (INCITS) (InterNational Committee for Information Technology Standards)

700 K Street NW, Suite 600, Washington, DC 20001 ph: (202) 737-8888 www.incits.org

New National Adoption

Reaffirmations and withdrawals available electronically may be accessed at: webstore.ansi.org

INCITS/ISO 19136-1:2020 [202x], Geographic Information - Geography Markup Language (GML) - Part 1: Fundamentals (identical national adoption of ISO 19136-1:2020 and revision of INCITS/ISO/IEC 19136:2007 [R2015])

The Geography Markup Language (GML) is an XML encoding in compliance with ISO 19118 for the transport and storage of geographic information modeled in accordance with the conceptual modeling framework used in the ISO 19100 series of International Standards and including both the spatial and non-spatial properties of geographic features.

Single copy price: \$232.00

Obtain an electronic copy from: <http://webstore.ansi.org/>

Order from: <http://webstore.ansi.org/>

Send comments (with optional copy to psa@ansi.org) to: comments@standards.incits.org

ITI (INCITS) (InterNational Committee for Information Technology Standards)

700 K Street NW, Suite 600, Washington, DC 20001 ph: (202) 737-8888 www.incits.org

New National Adoption

Reaffirmations and withdrawals available electronically may be accessed at: webstore.ansi.org

INCITS/ISO 19150-4:2019 [202x], Geographic Information - Ontology - Part 4: Service Ontology (identical national adoption of ISO 19150-4:2019)

This document sets a framework for geographic information service ontology and the description of geographic information Web services in Web Ontology Language (OWL).

Single copy price: \$209.00

Obtain an electronic copy from: <http://webstore.ansi.org/>

Order from: <http://webstore.ansi.org/>

Send comments (with optional copy to psa@ansi.org) to: comments@standards.incits.org

ITI (INCITS) (InterNational Committee for Information Technology Standards)

700 K Street NW, Suite 600, Washington, DC 20001 ph: (202) 737-8888 www.incits.org

New National Adoption

Reaffirmations and withdrawals available electronically may be accessed at: webstore.ansi.org

INCITS/ISO 19150-2:2015/AM 1:2019 [202x], Geographic information - Ontology - Part 2: Rules for developing ontologies in the Web Ontology Language (OWL) - Amendment 1 (identical national adoption of ISO 19150-2:2015/AM 1:2019)

Amendment 1 to ISO 19150-2:2015.

Single copy price: \$19.00

Obtain an electronic copy from: <http://webstore.ansi.org/>

Order from: <http://webstore.ansi.org/>

Send comments (with optional copy to psa@ansi.org) to: comments@standards.incits.org

Comment Deadline: July 14, 2020

ITI (INCITS) (InterNational Committee for Information Technology Standards)

700 K Street NW, Suite 600, Washington, DC 20001 ph: (202) 737-8888 www.incits.org

New National Adoption

Reaffirmations and withdrawals available electronically may be accessed at: webstore.ansi.org

INCITS/ISO 19160-3:2020 [202x], Addressing - Part 3: Address Data Quality (identical national adoption of ISO 19160-3:2020)

This document is a profile of ISO 19157; Establishes a set of data quality elements and measures for describing the quality of address data; Describes procedures for reporting data quality; Provides guidelines for the use of the established set of data quality elements; and Measures for describing the quality of address data.

Single copy price: \$162.00

Obtain an electronic copy from: <http://webstore.ansi.org/>

Order from: <http://webstore.ansi.org/>

Send comments (with optional copy to psa@ansi.org) to: comments@standards.incits.org

ITI (INCITS) (InterNational Committee for Information Technology Standards)

700 K Street NW, Suite 600, Washington, DC 20001 ph: (202) 737-8888 www.incits.org

New National Adoption

Reaffirmations and withdrawals available electronically may be accessed at: webstore.ansi.org

INCITS/ISO 19161-1:2020 [202x], Geographic Information - Geodetic References - Part 1: International Terrestrial Reference System (ITRS) (identical national adoption of ISO 19161-1:2020)

Provides the basic information and the requirements related to the International Terrestrial Reference System (ITRS), its definition, its realizations and how to access and use these realizations.

Single copy price: \$103.00

Obtain an electronic copy from: <http://webstore.ansi.org/>

Order from: <http://webstore.ansi.org/>

Send comments (with optional copy to psa@ansi.org) to: comments@standards.incits.org

ITI (INCITS) (InterNational Committee for Information Technology Standards)

700 K Street NW, Suite 600, Washington, DC 20001 ph: (202) 737-8888 www.incits.org

New National Adoption

Reaffirmations and withdrawals available electronically may be accessed at: webstore.ansi.org

INCITS/ISO 19165-1:2018 [202x], Geographic Information - Preservation of Digital Data and Metadata - Part 1: Fundamentals (identical national adoption of ISO 19165-1:2018)

Defines a preservation metadata extension of ISO 19115-1, and defines the requirements for the long-term preservation of digital geospatial data. These data also include metadata, representation information, provenance, context and any other content items that capture the knowledge that are necessary to fully understand and reuse the archived data. This document also refers to characteristics of data formats that are useful for the purpose of archiving.

Single copy price: \$185.00

Obtain an electronic copy from: <http://webstore.ansi.org/>

Order from: <http://webstore.ansi.org/>

Send comments (with optional copy to psa@ansi.org) to: comments@standards.incits.org

Comment Deadline: July 14, 2020

ITI (INCITS) (InterNational Committee for Information Technology Standards)

700 K Street NW, Suite 600, Washington, DC 20001 ph: (202) 737-8888 www.incits.org

New National Adoption

Reaffirmations and withdrawals available electronically may be accessed at: webstore.ansi.org

INCITS/ISO 19111:2019 [202x], Geographic Information - Referencing by Coordinates (identical national adoption of ISO 19111:2019 and revision of INCITS/ISO 19111:2007 [R2017])

INCITS/ISO 19111-2:2009 [R2015])

Defines the conceptual schema for the description of referencing by coordinates. It describes the minimum data required to define coordinate reference systems.

Single copy price: \$232.00

Obtain an electronic copy from: <http://webstore.ansi.org/>

Order from: <http://webstore.ansi.org/>

Send comments (with optional copy to psa@ansi.org) to: comments@standards.incits.org

ITI (INCITS) (InterNational Committee for Information Technology Standards)

700 K Street NW, Suite 600, Washington, DC 20001 ph: (202) 737-8888 www.incits.org

New National Adoption

Reaffirmations and withdrawals available electronically may be accessed at: webstore.ansi.org

INCITS/ISO 19127:2019 [202x], Geographic Information - Geodetic Register (identical national adoption of ISO 19127:2019)

Defines the management and operations of the ISO geodetic register and identifies the data elements, in accordance with ISO 19111:2007 and the core schema within ISO 19135-1:2015, required within the geodetic register.

Single copy price: \$185.00

Obtain an electronic copy from: <http://webstore.ansi.org/>

Order from: <http://webstore.ansi.org/>

Send comments (with optional copy to psa@ansi.org) to: comments@standards.incits.org

ITI (INCITS) (InterNational Committee for Information Technology Standards)

700 K Street NW, Suite 600, Washington, DC 20001 ph: (202) 737-8888 www.incits.org

New National Adoption

Reaffirmations and withdrawals available electronically may be accessed at: webstore.ansi.org

INCITS/ISO 19146:2018 [202x], Geographic Information - Cross-Domain Vocabularies (identical national adoption of ISO 19146:2018 and revision of INCITS/ISO 19146:2018 [202x])

This document establishes a methodology for cross-mapping vocabularies. It also specifies an implementation of ISO 19135-1:2015 for the purpose of registering cross-mapped vocabulary entries.

Single copy price: \$209.00

Obtain an electronic copy from: <http://webstore.ansi.org/>

Order from: <http://webstore.ansi.org/>

Send comments (with optional copy to psa@ansi.org) to: comments@standards.incits.org

ITI (INCITS) (InterNational Committee for Information Technology Standards)

700 K Street NW, Suite 600, Washington, DC 20001 ph: (202) 737-8888 www.incits.org

New National Adoption

Reaffirmations and withdrawals available electronically may be accessed at: webstore.ansi.org

INCITS/ISO 19162:2019 [202x], Geographic Information - Well-Known Text Representation of Coordinate Reference Systems (identical national adoption of ISO 19162:2019 and revision of INCITS/ISO 19162:2015 [2017])

Defines the structure and content of a text string implementation of the abstract model for coordinate reference systems described in ISO 19111. The string defines frequently needed types of coordinate reference systems and coordinate operations in a self-contained form that is easily readable by machines and by humans.

Single copy price: \$232.00

Obtain an electronic copy from: <http://webstore.ansi.org/>

Order from: <http://webstore.ansi.org/>

Send comments (with optional copy to psa@ansi.org) to: comments@standards.incits.org

Comment Deadline: July 14, 2020

ITI (INCITS) (InterNational Committee for Information Technology Standards)

700 K Street NW, Suite 600, Washington, DC 20001 ph: (202) 737-8888 www.incits.org

New National Adoption

Reaffirmations and withdrawals available electronically may be accessed at: webstore.ansi.org

INCITS/ISO 19157:2013/AM 1:2018 [202x], Geographic information - Data quality - Amendment 1: Describing data quality using coverages (identical national adoption of ISO 19157:2013/AM 1:2018)

Amendment 1 to ISO 19157:2013.

Single copy price: \$19.00

Obtain an electronic copy from: <http://webstore.ansi.org/>

Order from: <http://webstore.ansi.org/>

Send comments (with optional copy to psa@ansi.org) to: comments@standards.incits.org

ITI (INCITS) (InterNational Committee for Information Technology Standards)

700 K Street NW, Suite 600, Washington, DC 20001 ph: (202) 737-8888 www.incits.org

New National Adoption

Reaffirmations and withdrawals available electronically may be accessed at: webstore.ansi.org

INCITS/ISO/IEC 7811-2:2018 [202x], Identification Cards - Recording Technique - Part 2: Magnetic Stripe: Low Coercivity (identical national adoption of ISO/IEC 7811-2:2018 and revision of INCITS/ISO/IEC 7811-2:2014 [2016])

Specifies requirements for a low coercivity magnetic stripe (including any protective overlay) on an identification card, the encoding technique, and coded character sets. It takes into consideration both human and machine aspects and states minimum requirements.

Single copy price: \$138.00

Obtain an electronic copy from: <http://webstore.ansi.org/>

Order from: <http://webstore.ansi.org/>

Send comments (with optional copy to psa@ansi.org) to: comments@standards.incits.org

ITI (INCITS) (InterNational Committee for Information Technology Standards)

700 K Street NW, Suite 600, Washington, DC 20001 ph: (202) 737-8888 www.incits.org

New National Adoption

Reaffirmations and withdrawals available electronically may be accessed at: webstore.ansi.org

INCITS/ISO/IEC 7816-8:2019 [202x], Identification Cards - Integrated Circuit Cards - Part 8: Commands and Mechanisms for Security Operations (identical national adoption of ISO/IEC 7816-8:2019 and revision of INCITS/ISO/IEC 7816-8:2016 [2019])

Specifies interindustry commands which can be used for security operations. This document also provides informative directives on how to construct security mechanisms with commands defined in ISO/IEC 7816-4. The choice and conditions of use of cryptographic mechanism in security operations can affect card exportability. The evaluation of the suitability of algorithms and protocols is outside the scope of this document. It does not cover the internal implementation within the card and/or the outside world.

Single copy price: \$162.00

Obtain an electronic copy from: <http://webstore.ansi.org/>

Order from: <http://webstore.ansi.org/>

Send comments (with optional copy to psa@ansi.org) to: comments@standards.incits.org

Comment Deadline: July 14, 2020

ITI (INCITS) (InterNational Committee for Information Technology Standards)

700 K Street NW, Suite 600, Washington, DC 20001 ph: (202) 737-8888 www.incits.org

New National Adoption

Reaffirmations and withdrawals available electronically may be accessed at: webstore.ansi.org

INCITS/ISO/IEC 7816-15:2016/AM 1:2018 [202x], Identification cards - Integrated circuit cards - Part 15: Cryptographic information application - Amendment 1 (identical national adoption of ISO/IEC 7816-15:2016/AM 1:2018)

Amendment 1 to ISO/IEC 7816-15:2016.

Single copy price: \$19.00

Obtain an electronic copy from: <http://webstore.ansi.org/>

Order from: <http://webstore.ansi.org/>

Send comments (with optional copy to psa@ansi.org) to: comments@standards.incits.org

ITI (INCITS) (InterNational Committee for Information Technology Standards)

700 K Street NW, Suite 600, Washington, DC 20001 ph: (202) 737-8888 www.incits.org

New National Adoption

Reaffirmations and withdrawals available electronically may be accessed at: webstore.ansi.org

INCITS/ISO/IEC 10373-3:2018 [202x], Identification Cards - Test Methods - Part 3: Integrated Circuit Cards with Contacts and Related Interface Devices (identical national adoption of ISO/IEC 10373-3:2018 and revision of INCITS/ISO/IEC 10373-3:2010 [R2016])

Defines test methods for characteristics of integrated circuit cards with contacts and related interface devices according to the definition given in ISO/IEC 7816-3. Each test method is cross-referenced to one or more base standards, which can be ISO/IEC 7810 that defines the information storage technologies employed in identification card applications.

Single copy price: \$185.00

Obtain an electronic copy from: <http://webstore.ansi.org/>

Order from: <http://webstore.ansi.org/>

Send comments (with optional copy to psa@ansi.org) to: comments@standards.incits.org

ITI (INCITS) (InterNational Committee for Information Technology Standards)

700 K Street NW, Suite 600, Washington, DC 20001 ph: (202) 737-8888 www.incits.org

New National Adoption

Reaffirmations and withdrawals available electronically may be accessed at: webstore.ansi.org

INCITS/ISO/IEC 10373-7:2019 [202x], Cards and Security Devices for Personal Identification - Test Methods - Part 7: Contactless Vicinity Objects (identical national adoption of ISO/IEC 10373-7:2019 and revision of INCITS/ISO/IEC 10373-7:2008 [R2016])

Defines test methods for characteristics of identification cards according to the definition given in ISO/IEC 7810. Each test method is cross-referenced to one or more base standards, which can be ISO/IEC 7810 or one or more of the supplementary standards that define the information storage technologies employed in identification card applications. This part of ISO/IEC 10373 deals with test methods, which are specific to contactless integrated circuit card (vicinity card) technology.

Single copy price: \$209.00

Obtain an electronic copy from: <http://webstore.ansi.org/>

Order from: <http://webstore.ansi.org/>

Send comments (with optional copy to psa@ansi.org) to: comments@standards.incits.org

Comment Deadline: July 14, 2020

ITI (INCITS) (InterNational Committee for Information Technology Standards)

700 K Street NW, Suite 600, Washington, DC 20001 ph: (202) 737-8888 www.incits.org

New National Adoption

Reaffirmations and withdrawals available electronically may be accessed at: webstore.ansi.org

INCITS/ISO/IEC 10373-8:2011 [202x], Identification Cards - Test Methods - Part 8: USB-ICC (identical national adoption of ISO/IEC 10373-8:2011)

Describes a test methodology and a list of test scenarios to evaluate the compliance of a card with ISO/IEC 7816-12. Specifically, ISO/IEC 10373-8:2011 addresses USB 2.0 physical layer measurements and electrical compliance testing; discusses issues relative to the Test Tools to analyze USB bus traffic and provides guidance for the Test Scenarios given in ISO/IEC 10373-8:2011; proposes a classification of Test Scenarios given in ISO/IEC 10373-8:2011, along with validation criteria; discusses test cases for compliance with the USB CCID Class Device.

Single copy price: \$162.00

Obtain an electronic copy from: <http://webstore.ansi.org/>

Order from: <http://webstore.ansi.org/>

Send comments (with optional copy to psa@ansi.org) to: comments@standards.incits.org

ITI (INCITS) (InterNational Committee for Information Technology Standards)

700 K Street NW, Suite 600, Washington, DC 20001 ph: (202) 737-8888 www.incits.org

New National Adoption

Reaffirmations and withdrawals available electronically may be accessed at: webstore.ansi.org

INCITS/ISO/IEC 10373-9:2011 [202x], Identification Cards - Test Methods - Part 9: Optical Memory Cards - Holographic Recording Method (identical national adoption of ISO/IEC 10373-9:2011)

Defines test methods for characteristics of identification cards according to the definition given in ISO/IEC 7810. It is specific to optical memory cards that use the holographic recording method technology. Each test method is cross-referenced to one or more base standards, i.e., ISO/IEC 7810 or one or more of the supplementary International Standards that define the information storage technologies employed in identification card applications.

Single copy price: \$68.00

Obtain an electronic copy from: <http://webstore.ansi.org/>

Order from: <http://webstore.ansi.org/>

Send comments (with optional copy to psa@ansi.org) to: comments@standards.incits.org

ITI (INCITS) (InterNational Committee for Information Technology Standards)

700 K Street NW, Suite 600, Washington, DC 20001 ph: (202) 737-8888 www.incits.org

New National Adoption

Reaffirmations and withdrawals available electronically may be accessed at: webstore.ansi.org

INCITS/ISO/IEC 14443-3:2018 [202x], Cards and Security Devices for Personal Identification - Contactless Proximity Objects - Part 3: Initialization and Anticollision (identical national adoption of ISO/IEC 14443-3:2018 and revision of INCITS/ISO/IEC 14443-3:2016 [2016])

Describes the polling for proximity cards or objects (PICCs) entering the field of a proximity coupling device (PCD); the byte format, the frames, and timing used during the initial phase of communication between PCDs and PICCs; the initial Request and Answer to Request command content; methods to detect and communicate with one PICC among several PICCs (anticollision); other parameters required to initialize communications between a PICC and PCD; optional means to ease and speed up the selection of one PICC among several PICCs based on application criteria; optional capability to allow a device to alternate between the functions of a PICC and a PCD to communicate with a PCD or a PICC, respectively. A device which implements this capability is called a PXD.

Single copy price: \$209.00

Obtain an electronic copy from: <http://webstore.ansi.org/>

Order from: <http://webstore.ansi.org/>

Send comments (with optional copy to psa@ansi.org) to: comments@standards.incits.org

Comment Deadline: July 14, 2020

ITI (INCITS) (InterNational Committee for Information Technology Standards)

700 K Street NW, Suite 600, Washington, DC 20001 ph: (202) 737-8888 www.incits.org

New National Adoption

Reaffirmations and withdrawals available electronically may be accessed at: webstore.ansi.org

INCITS/ISO/IEC 14443-4:2018 [202x], Cards and Security Devices for Personal Identification - Contactless Proximity Objects - Part 4: Transmission Protocol (identical national adoption of ISO/IEC 14443-4:2018 and revision of INCITS/ISO/IEC 14443-4:2016 [2016])

Specifies a half-duplex block transmission protocol featuring the special needs of a contactless environment and defines the activation and deactivation sequence of the protocol. Is intended to be used in conjunction with other parts of ISO/IEC 14443 and is applicable to proximity cards or objects of Type A and Type B.

Single copy price: \$209.00

Obtain an electronic copy from: <http://webstore.ansi.org/>

Order from: <http://webstore.ansi.org/>

Send comments (with optional copy to psa@ansi.org) to: comments@standards.incits.org

ITI (INCITS) (InterNational Committee for Information Technology Standards)

700 K Street NW, Suite 600, Washington, DC 20001 ph: (202) 737-8888 www.incits.org

New National Adoption

Reaffirmations and withdrawals available electronically may be accessed at: webstore.ansi.org

INCITS/ISO/IEC 15693-1:2018 [202x], Cards and Security Devices for Personal Identification - Contactless Vicinity Objects - Part 1: Physical Characteristics (identical national adoption of ISO/IEC 15693-1:2018 and revision of INCITS/ISO/IEC 15693-1:2010 [R2016])

Defines the physical characteristics of vicinity cards (VICCs). It is intended to be used in conjunction with other parts of the ISO/IEC 15693 series.

Single copy price: \$45.00

Obtain an electronic copy from: <http://webstore.ansi.org/>

Order from: <http://webstore.ansi.org/>

Send comments (with optional copy to psa@ansi.org) to: comments@standards.incits.org

ITI (INCITS) (InterNational Committee for Information Technology Standards)

700 K Street NW, Suite 600, Washington, DC 20001 ph: (202) 737-8888 www.incits.org

New National Adoption

Reaffirmations and withdrawals available electronically may be accessed at: webstore.ansi.org

INCITS/ISO/IEC 15693-2:2019 [202x], Cards and Security Devices for Personal Identification - Contactless Vicinity Objects - Part 2: Air Interface and Initialization (identical national adoption of ISO/IEC 15693-2:2019 and revision of INCITS/ISO/IEC 15693-2:2006 [R2016])

Document specifies the nature and characteristics of the fields to be provided for power and bi-directional communications between vicinity coupling devices (VCDs) and vicinity cards (VICCs). This document is intended to be used in conjunction with other parts of the ISO/IEC 15693 series. This document does not preclude the incorporation of other standard technologies on the card as described in Annex A.

Single copy price: \$138.00

Obtain an electronic copy from: <http://webstore.ansi.org/>

Order from: <http://webstore.ansi.org/>

Send comments (with optional copy to psa@ansi.org) to: comments@standards.incits.org

Comment Deadline: July 14, 2020

ITI (INCITS) (InterNational Committee for Information Technology Standards)

700 K Street NW, Suite 600, Washington, DC 20001 ph: (202) 737-8888 www.incits.org

New National Adoption

Reaffirmations and withdrawals available electronically may be accessed at: webstore.ansi.org

INCITS/ISO/IEC 15693-3:2019 [202x], Cards and Security Devices for Personal Identification - Contactless Vicinity Objects - Part 3: Anticollision and Transmission Protocol (identical national adoption of ISO/IEC 15693-3:2019 and revision of INCITS/ISO/IEC 15693-3:2009 [R2016])

Specifies protocols and commands; other parameters required to initialize communications between a vicinity integrated circuit card and a vicinity coupling device; methods to detect and communicate with one card among several cards ("anticollision"); optional means to ease and speed up the selection of one among several cards based on application criteria. This document does not preclude the incorporation of other standard technologies on the card as described in Annex A.

Single copy price: \$209.00

Obtain an electronic copy from: <http://webstore.ansi.org/>

Order from: <http://webstore.ansi.org/>

Send comments (with optional copy to psa@ansi.org) to: comments@standards.incits.org

ITI (INCITS) (InterNational Committee for Information Technology Standards)

700 K Street NW, Suite 600, Washington, DC 20001 ph: (202) 737-8888 www.incits.org

New National Adoption

Reaffirmations and withdrawals available electronically may be accessed at: webstore.ansi.org

INCITS/ISO/IEC 18013-3:2017 [202x], Information Technology - Personal Identification - ISO-Compliant Driving Licence - Part 3: Access Control, Authentication and Integrity Validation (identical national adoption of ISO/IEC 18013-3:2017 and revision of INCITS/ISO/IEC 18013-3:2009 [R2016])

Establishes guidelines for the design format and data content of an ISO-compliant driving licence (IDL) with regard to human-readable features (ISO/IEC 18013-1); machine-readable technologies (ISO/IEC 18013-2); and access control, authentication, and integrity validation (ISO/IEC 18013-3). It creates a common basis for international use and mutual recognition of the IDL without impeding individual countries/states to apply their privacy rules and national/community/regional motor vehicle authorities in taking care of their specific needs.

Single copy price: \$209.00

Obtain an electronic copy from: <http://webstore.ansi.org/>

Order from: <http://webstore.ansi.org/>

Send comments (with optional copy to psa@ansi.org) to: comments@standards.incits.org

ITI (INCITS) (InterNational Committee for Information Technology Standards)

700 K Street NW, Suite 600, Washington, DC 20001 ph: (202) 737-8888 www.incits.org

New National Adoption

Reaffirmations and withdrawals available electronically may be accessed at: webstore.ansi.org

INCITS/ISO/IEC 18013-4:2019 [202x], Personal Identification - ISO-Compliant Driving Licence - Part 4: Test Methods (identical national adoption of ISO/IEC 18013-4:2019)

Document describes the test methods used for conformity testing, that is methods for determining whether a driving licence can be considered to comply with the requirements of the ISO/IEC 18013 series for: machine-readable technologies (ISO/IEC 18013-2) and access control, authentication, and integrity validation (ISO/IEC 18013-3).

Single copy price: \$232.00

Obtain an electronic copy from: <http://webstore.ansi.org/>

Order from: <http://webstore.ansi.org/>

Send comments (with optional copy to psa@ansi.org) to: comments@standards.incits.org

Comment Deadline: July 14, 2020

ITI (INCITS) (InterNational Committee for Information Technology Standards)

700 K Street NW, Suite 600, Washington, DC 20001 ph: (202) 737-8888 www.incits.org

New National Adoption

Reaffirmations and withdrawals available electronically may be accessed at: webstore.ansi.org

INCITS/ISO/IEC 20071-11:2019 [202x], Information Technology - User Interface Component Accessibility - Part 11: Guidance on Text Alternatives for Images (identical national adoption of ISO/IEC 20071-11:2019)

This document gives guidance on how to create text alternatives and what information to put in text alternatives. This document applies to all static images that are used in any type of electronic document. It also applies to individual images within a slide show. This document does not apply to moving images (e.g., movies).

Single copy price: \$185.00

Obtain an electronic copy from: <http://webstore.ansi.org/>

Order from: <http://webstore.ansi.org/>

Send comments (with optional copy to psa@ansi.org) to: comments@standards.incits.org

ITI (INCITS) (InterNational Committee for Information Technology Standards)

700 K Street NW, Suite 600, Washington, DC 20001 ph: (202) 737-8888 www.incits.org

New National Adoption

Reaffirmations and withdrawals available electronically may be accessed at: webstore.ansi.org

INCITS/ISO/IEC 29794-4:2017 [202x], Information Technology - Biometric Sample Quality - Part 4: Finger Image Data (identical national adoption of ISO/IEC 29794-4:2017)

Establishes terms and definitions for quantifying finger image quality, methods used to quantify the quality of finger images, and standardized encoding of finger image quality, for finger images at 196,85 px/cm spatial sampling rate scanned or captured using optical sensors with capture dimension (width, height) of at least 1,27 cm x 1,651 cm.

Single copy price: \$185.00

Obtain an electronic copy from: <http://webstore.ansi.org/>

Order from: <http://webstore.ansi.org/>

Send comments (with optional copy to psa@ansi.org) to: comments@standards.incits.org

ITI (INCITS) (InterNational Committee for Information Technology Standards)

700 K Street NW, Suite 600, Washington, DC 20001 ph: (202) 737-8888 www.incits.org

New National Adoption

Reaffirmations and withdrawals available electronically may be accessed at: webstore.ansi.org

INCITS/ISO/IEC 7810:2019 [202x], Identification Cards - Physical Characteristics (identical national adoption of ISO/IEC 7810:2019 and revision of INCITS/ISO/IEC 7810:2003 [R2018])

Describes the characteristics for identification cards and the use of such cards for international interchange. This document specifies the physical characteristics of identification cards including card materials, construction, characteristics, and dimensions for four sizes of cards.

Single copy price: \$68.00

Obtain an electronic copy from: <http://webstore.ansi.org/>

Order from: <http://webstore.ansi.org/>

Send comments (with optional copy to psa@ansi.org) to: comments@standards.incits.org

Comment Deadline: July 14, 2020

ITI (INCITS) (InterNational Committee for Information Technology Standards)

700 K Street NW, Suite 600, Washington, DC 20001 ph: (202) 737-8888 www.incits.org

New National Adoption

Reaffirmations and withdrawals available electronically may be accessed at: webstore.ansi.org

INCITS/ISO/IEC 19286:2018 [202x], Identification Cards - Integrated Circuit Cards - Privacy-Enhancing Protocols and Services (identical national adoption of ISO/IEC 19286:2018)

Aims to normalize privacy-enhancing protocols and services by using the mechanisms from parts of ISO/IEC 7816 and parts of ISO/IEC 18328 that contribute to security and privacy, providing discoverability means of privacy-enabling attributes, defining requirements for attribute-based credential handling, and identifying data objects and commands for ICCs.

Single copy price: \$209.00

Obtain an electronic copy from: <http://webstore.ansi.org/>

Order from: <http://webstore.ansi.org/>

Send comments (with optional copy to psa@ansi.org) to: comments@standards.incits.org

ITI (INCITS) (InterNational Committee for Information Technology Standards)

700 K Street NW, Suite 600, Washington, DC 20001 ph: (202) 737-8888 www.incits.org

New National Adoption

Reaffirmations and withdrawals available electronically may be accessed at: webstore.ansi.org

INCITS/ISO/IEC 24787:2018 [202x], Information Technology - Identification Cards - On-Card Biometric Comparison (identical national adoption of ISO/IEC 24787:2018)

Document establishes: architectures of biometric comparison using an ICC; on-card biometric comparison, both in sensor-off-card systems and as part of biometric system-on-card; work-sharing on-card biometric comparison; and security policies for on-card biometric comparison.

Single copy price: \$162.00

Obtain an electronic copy from: <http://webstore.ansi.org/>

Order from: <http://webstore.ansi.org/>

Send comments (with optional copy to psa@ansi.org) to: comments@standards.incits.org

Project Withdrawn

In accordance with clause 4.2.1.3.3 Discontinuance of a standards project of the ANSI Essential Requirements, an accredited standards developer may abandon the processing of a proposed new or revised American National Standard or portion thereof if it has followed its accredited procedures. The following projects have been withdrawn accordingly:

ASME (American Society of Mechanical Engineers)

Two Park Avenue, M/S 6-2B, New York, NY 10016-5990 ph: (212) 591-8489 www.asme.org

BSR/ASME B89.1.19-200x, The Mechanical Measurement of Master Spheres (new standard)

Inquiries may be directed to Terrell Henry, (212) 591-8489, ansibox@asme.org

ASTM (ASTM International)

100 Barr Harbor Drive, West Conshohocken, PA 19428-2959 ph: (610) 832-9744 www.astm.org

BSR/ASTM WK51150-202x, New Classification for Measurement and Communication (Reporting, Illustrating, Claims) of Backpacking, Mountaineering, and Camping Tents (new standard)

Inquiries may be directed to Laura Klineburger, (610) 832-9744, accreditation@astm.org

ASTM (ASTM International)

100 Barr Harbor Drive, West Conshohocken, PA 19428-2959 ph: (610) 832-9744 www.astm.org

BSR/ASTM WK58474-202x, Specification for Performance of Mouth Guards (new standard)

Inquiries may be directed to Laura Klineburger, (610) 832-9744, accreditation@astm.org

Project Withdrawn

ASTM (ASTM International)

100 Barr Harbor Drive, West Conshohocken, PA 19428-2959 ph: (610) 832-9744 www.astm.org

BSR/ASTM WK60683-202x, New Guide for Pole Vault Use Area (new standard)

Inquiries may be directed to Laura Klineburger, (610) 832-9744, accreditation@astm.org

Call for Members (ANS Consensus Bodies)

Directly and materially affected parties who are interested in participating as a member of an ANS consensus body for the standards listed below are requested to contact the sponsoring standards developer directly and in a timely manner.

ASME (American Society of Mechanical Engineers)

Contact: Terrell Henry
Two Park Avenue, M/S 6-2B
New York, NY 10016-5990
p: (212) 591-8489
e: ansibox@asme.org

BSR/ASME PTC 19.1.1-202x, Test Uncertainty: Example Applications and Calculations (new standard)

ATIS (Alliance for Telecommunications Industry Solutions)

Contact: Drew Greco
1200 G Street NW, Suite 500
Washington, DC 20005
p: (202) 628-6380
e: dgreco@atis.org

BSR/ATIS 0600015.09-202x, Methodology for Measurement and Reporting of Base Station Metrics for Telecommunication Equipment: Power Consumption and Energy Performance (revision of ANSI/ATIS 0600015.09-2015)

BSR/ATIS 0600017-202x, Non-Halogenated DC Power Wire and Cable for Telecommunications Power Systems (revision of ANSI ATIS 0600017-2014)

BSR/ATIS 0600331-202x, Description of Above-Baseline Physical Threats to Telecommunications Links (revision of ANSI/ATIS 0600331-2015)

BSR/ATIS 0600332-202x, Electrical Protection of Network-Powered Broadband Facilities (revision of ANSI/ATIS 0600332-2015)

AWEA (American Wind Energy Association)

Contact: Michele Mihelic
1501 M Street, NW, , Suite 1000
Washington, DC 20005
p: (202) 383-2500
e: standards@awea.org

BSR/AWEA 5000-1-202x, AWEA Wind Workforce Definitions 202X (new standard)

BSR/AWEA 5000-2-202x, Wind Technician Entry Level (new standard)

BSR/AWEA 61400-1-202x, Wind Energy Generation Systems - Part 1: Design requirements - Modified Adoption of IEC 61400-1 (national adoption with modifications of IEC 61400-1:2019)

BSR/AWEA 61400-6-202x, Wind Energy Generation Systems - Part 6: Tower and foundation design requirements - Modified Adoption of IEC 61400-6 (national adoption with modifications of IEC 61400-6:2020)

CGA (Compressed Gas Association)

Contact: Thomas Deary
14501 George Carter Way, Suite 103
Chantilly, VA 20151
p: (703) 788-2716
e: tdeary@cganet.com

BSR/CGA G-13-202x, Storage and Handling of Silane and Silane Mixtures (revision of ANSI/CGA G-13-2016)

FCI (Fluid Controls Institute)

Contact: Leslie Schraff
1300 Sumner Avenue
Cleveland, OH 44115
p: (216) 241-7333
e: fci@fluidcontrolsintitute.org

BSR/FCI 99-1-202x, Standard for Performance Testing of Secondary Pressure Drainers (revision of ANSI/FCI 99-1-2014)

IES (Illuminating Engineering Society)

Contact: Patricia McGillicuddy
120 Wall Street, Floor 17
New York, NY 10005
p: (917) 913-0027
e: pmcgillicuddy@ies.org

BSR/IES LM-UV-LEDs-202x, Approved Method: Electrical and Optical Measurements of Ultraviolet LEDs (new standard)

Call for Members (ANS Consensus Bodies)

Directly and materially affected parties who are interested in participating as a member of an ANS consensus body for the standards listed below are requested to contact the sponsoring standards developer directly and in a timely manner.

BSR/IES LM-UV-LPM-202x, Approved Method: Electrical and Optical Measurements of Low-Pressure Mercury Discharge Lamps (new standard)

ITI (INCITS) (InterNational Committee for Information Technology Standards)

Contact: Deborah Spittle
700 K Street NW, Suite 600
Washington, DC 20001
p: (202) 737-8888
e: comments@standards.incits.org

INCITS/ISO 19101-2:2018 [202x], Geographic Information - Reference Model - Part 2: Imagery (identical national adoption of ISO 19101-2:2018)

INCITS/ISO 19115-1:2014/AM 1:2018 [202x], Geographic information - Metadata - Part 1: Fundamentals - Amendment 1 (identical national adoption of ISO 19115-1:2014/AM 1:2018)

INCITS/ISO 19123-2:2018 [202x], Geographic Information - Schema for Coverage Geometry and Functions - Part 2: Coverage Implementation Schema (identical national adoption of ISO 19123-2:2018)

INCITS/ISO 19130-1:2018 [202x], Geographic Information - Imagery Sensor Models for Geopositioning - Part 1: Fundamentals (identical national adoption of ISO 19130-1:2018)

INCITS/ISO 19136-1:2020 [202x], Geographic Information - Geography Markup Language (GML) - Part 1: Fundamentals (identical national adoption of ISO 19136-1:2020 and revision of INCITS/ISO/IEC 19136:2007 [R2015])

INCITS/ISO 19150-4:2019 [202x], Geographic Information - Ontology - Part 4: Service Ontology (identical national adoption of ISO 19150-4:2019)

INCITS/ISO 19150-2:2015/AM 1:2019 [202x], Geographic information - Ontology - Part 2: Rules for developing ontologies in the Web Ontology Language (OWL) - Amendment 1 (identical national adoption of ISO 19150-2:2015/AM 1:2019)

INCITS/ISO 19160-3:2020 [202x], Addressing - Part 3: Address Data Quality (identical national adoption of ISO 19160-3:2020)

INCITS/ISO 19161-1:2020 [202x], Geographic Information - Geodetic References - Part 1: International Terrestrial Reference System (ITRS) (identical national adoption of ISO 19161-1:2020)

INCITS/ISO 19165-1:2018 [202x], Geographic Information - Preservation of Digital Data and Metadata - Part 1: Fundamentals (identical national adoption of ISO 19165-1:2018)

INCITS/ISO 19111:2019 [202x], Geographic Information - Referencing by Coordinates (identical national adoption of ISO 19111:2019 and revision of INCITS/ISO 19111:2007 [R2017] INCITS/ISO 19111-2:2009 [R2015])

INCITS/ISO 19127:2019 [202x], Geographic Information - Geodetic Register (identical national adoption of ISO 19127:2019)

INCITS/ISO 19146:2018 [202x], Geographic Information - Cross-Domain Vocabularies (identical national adoption of ISO 19146:2018 and revision of INCITS/ISO 19146:2018 [202x])

INCITS/ISO 19162:2019 [202x], Geographic Information - Well-Known Text Representation of Coordinate Reference Systems (identical national adoption of ISO 19162:2019 and revision of INCITS/ISO 19162:2015 [2017])

Call for Members (ANS Consensus Bodies)

Directly and materially affected parties who are interested in participating as a member of an ANS consensus body for the standards listed below are requested to contact the sponsoring standards developer directly and in a timely manner.

INCITS/ISO 19157:2013/AM 1:2018 [202x], Geographic information - Data quality - Amendment 1: Describing data quality using coverages (identical national adoption of ISO 19157:2013/AM 1:2018)

INCITS/ISO/IEC 7811-2:2018 [202x], Identification Cards - Recording Technique - Part 2: Magnetic Stripe: Low Coercivity (identical national adoption of ISO/IEC 7811-2:2018 and revision of INCITS/ISO/IEC 7811-2:2014 [2016])

INCITS/ISO/IEC 7816-8:2019 [202x], Identification Cards - Integrated Circuit Cards - Part 8: Commands and Mechanisms for Security Operations (identical national adoption of ISO/IEC 7816-8:2019 and revision of INCITS/ISO/IEC 7816-8:2016 [2019])

INCITS/ISO/IEC 7816-15:2016/AM 1:2018 [202x], Identification cards - Integrated circuit cards - Part 15: Cryptographic information application - Amendment 1 (identical national adoption of ISO/IEC 7816-15:2016/AM 1:2018)

INCITS/ISO/IEC 10373-3:2018 [202x], Identification Cards - Test Methods - Part 3: Integrated Circuit Cards with Contacts and Related Interface Devices (identical national adoption of ISO/IEC 10373-3:2018 and revision of INCITS/ISO/IEC 10373-3:2010 [R2016])

INCITS/ISO/IEC 10373-7:2019 [202x], Cards and Security Devices for Personal Identification - Test Methods - Part 7: Contactless Vicinity Objects (identical national adoption of ISO/IEC 10373-7:2019 and revision of INCITS/ISO/IEC 10373-7:2008 [R2016])

INCITS/ISO/IEC 10373-8:2011 [202x], Identification Cards - Test Methods - Part 8: USB-ICC (identical national adoption of ISO/IEC 10373-8:2011)

INCITS/ISO/IEC 10373-9:2011 [202x], Identification Cards - Test Methods - Part 9: Optical Memory Cards - Holographic Recording Method (identical national adoption of ISO/IEC 10373-9:2011)

INCITS/ISO/IEC 14443-3:2018 [202x], Cards and Security Devices for Personal Identification - Contactless Proximity Objects - Part 3: Initialization and Anticollision (identical national adoption of ISO/IEC 14443-3:2018 and revision of INCITS/ISO/IEC 14443-3:2016 [2016])

INCITS/ISO/IEC 14443-4:2018 [202x], Cards and Security Devices for Personal Identification - Contactless Proximity Objects - Part 4: Transmission Protocol (identical national adoption of ISO/IEC 14443-4:2018 and revision of INCITS/ISO/IEC 14443-4:2016 [2016])

INCITS/ISO/IEC 15693-1:2018 [202x], Cards and Security Devices for Personal Identification - Contactless Vicinity Objects - Part 1: Physical Characteristics (identical national adoption of ISO/IEC 15693-1:2018 and revision of INCITS/ISO/IEC 15693-1:2010 [R2016])

INCITS/ISO/IEC 15693-2:2019 [202x], Cards and Security Devices for Personal Identification - Contactless Vicinity Objects - Part 2: Air Interface and Initialization (identical national adoption of ISO/IEC 15693-2:2019 and revision of INCITS/ISO/IEC 15693-2:2006 [R2016])

INCITS/ISO/IEC 15693-3:2019 [202x], Cards and Security Devices for Personal Identification - Contactless Vicinity Objects - Part 3: Anticollision and Transmission Protocol (identical national adoption of ISO/IEC 15693-3:2019 and revision of INCITS/ISO/IEC 15693-3:2009 [R2016])

INCITS/ISO/IEC 18013-3:2017 [202x], Information Technology - Personal Identification - ISO-Compliant Driving Licence - Part 3: Access Control, Authentication and Integrity Validation (identical national adoption of ISO/IEC 18013-3:2017 and revision of INCITS/ISO/IEC 18013-3:2009 [R2016])

INCITS/ISO/IEC 18013-4:2019 [202x], Personal Identification - ISO-Compliant Driving Licence - Part 4: Test Methods (identical national adoption of ISO/IEC 18013-4:2019)

Call for Members (ANS Consensus Bodies)

Directly and materially affected parties who are interested in participating as a member of an ANS consensus body for the standards listed below are requested to contact the sponsoring standards developer directly and in a timely manner.

INCITS/ISO/IEC 20071-11:2019 [202x], Information Technology - User Interface Component Accessibility - Part 11: Guidance on Text Alternatives for Images (identical national adoption of ISO/IEC 20071-11:2019)

INCITS/ISO/IEC 29794-4:2017 [202x], Information Technology - Biometric Sample Quality - Part 4: Finger Image Data (identical national adoption of ISO/IEC 29794-4:2017)

INCITS/ISO/IEC 7810:2019 [202x], Identification Cards - Physical Characteristics (identical national adoption of ISO/IEC 7810:2019 and revision of INCITS/ISO/IEC 7810:2003 [R2018])

INCITS/ISO/IEC 19286:2018 [202x], Identification Cards - Integrated Circuit Cards - Privacy-Enhancing Protocols And Services (identical national adoption of ISO/IEC 19286:2018)

INCITS/ISO/IEC 24787:2018 [202x], Information Technology - Identification Cards - On-Card Biometric Comparison (identical national adoption of ISO/IEC 24787:2018)

NECA (National Electrical Contractors Association)

Contact: Aga Golriz
3 Bethesda Metro Center, Suite 1100
Bethesda, MD 20814
p: (301) 215-4549
e: Aga.golriz@necanet.org

BSR/NECA 411-202X, Installing and Maintaining Uninterruptible Power Supplies (revision of ANSI/NECA 411-2014)

NEMA (ASC C136) (National Electrical Manufacturers Association)

Contact: David Richmond
1300 North 17th Street, Suite 900
Rosslyn, VA 22209
p: (703) 841-3234
e: David.Richmond@nema.org

BSR C136.14-202X, Elliptically Shaped, Enclosed Side-Mounted Luminaires (revision of ANSI C136.14-2014)

BSR C136.15-202x, Roadway and Area Lighting Equipment - Luminaire Field Identification (revision of ANSI C136.15-2015)

NEMA (ASC C8) (National Electrical Manufacturers Association)

Contact: Khaled Masri
1300 North 17th Street
Rosslyn, VA 22209
p: (703) 841-3278
e: Khaled.Masri@nema.org

BSR NEMA WC 27500-202x, Standard for Aerospace and Industrial Electrical Cable (revision of ANSI/NEMA WC 27500-2015)

NSF (NSF International)

Contact: Allan Rose
789 N. Dixboro Road
Ann Arbor, MI 48105-9723
p: (734) 827-3817
e: arose@nsf.org

BSR/NSF 49-202x (i150r1), Biosafety Cabinetry: Design, Construction, Performance, and Field Certification (revision of ANSI/NSF 49-2019)

BSR/NSF 49-202x (i154r1), Biosafety Cabinetry: Design, Construction, Performance, and Field Certification (revision of ANSI/NSF 49-2019)

SAWE (Society of Allied Weights Engineers)

Contact: Jeffrey Cerro
NASA Langley Research Center, MS 451, 1 N. Dryden Street, B1209
Hampton, VA 23681
p: (757) 570-1386
e: jeffcerro@verizon.net; douglas.fisher@collins.com

BSR/SAWE STD A-06-202X, Standard Coordinate System for Reporting the Mass Properties of Flight Vehicles RP A-6 (new standard)

Call for Members (ANS Consensus Bodies)

Directly and materially affected parties who are interested in participating as a member of an ANS consensus body for the standards listed below are requested to contact the sponsoring standards developer directly and in a timely manner.

TAPPI (Technical Association of the Pulp and Paper Industry)

Contact: Priscila Briggs
 15 Technology Parkway South, Suite 115
 Peachtree Corners, GA 30092
 p: (770) 209-7249
 e: standards@tappi.org

BSR/TAPPI T 835 om-202x, Water absorption of corrugating medium: water drop absorption test (revision of ANSI/TAPPI T 835 om-2014)

BSR/TIA 455-176-A-202x, IEC-60793-1-20: Optical Fibres - Part 1 -20: Measurement Methods and Test Procedures - Fibre Geometry (identical national adoption of IEC-60793-1-20)

BSR/TIA 455-177-B-202x, IEC-60793-1-43: Optical Fibres - Part 1 -43: Measurement Methods and Test Procedures - Numerical Aperture (identical national adoption of IEC-60793-1-43)

TIA (Telecommunications Industry Association)

Contact: Teesha Jenkins
 1320 North Courthouse Road, Suite 200
 Arlington, VA 22201
 p: (703) 907-7706
 e: standards@tiaonline.org

BSR/TIA 455-62-B-202x, IEC-60793-1-47: Optical Fibres - Part 1 -47: Measurement Methods and Test Procedures - Macrobending Loss (identical national adoption of IEC-60793-1-47)

BSR/TIA 455-67-A-202x, IEC-60793-1-51: Optical Fibres - Part 1 -51: Measurement Methods and Test Procedures- Dry Heat (identical national adoption of IEC-60793-1-51)

BSR/TIA 455-74-A-202x, IEC-60793-1-53: Optical Fibres- Part 1 -53: Measurement Methods and Test Procedures - Water Immersion (identical national adoption of IEC-60793-1-53)

BSR/TIA 455-122-B-202x, IEC 60793-1-48: Measurement Methods and Test Procedures - Polarization Mode Dispersion (identical national adoption of IEC 60793-1-48)

BSR/TIA 455-160-A-202x, IEC-60793-1-50: Optical Fibres - Part 1 -50: Measurement Methods and Test Procedures- Damp Heat (Steady State) (identical national adoption of IEC-60793-1-50)

BSR/TIA 455-175-B-202x, IEC-60793-1-42: Optical Fibres - Part 1 -42: Measurement Methods and Test Procedures - Chromatic Dispersion (identical national adoption of IEC-60793-1-42)

Call for Members (ANS Consensus Bodies)

Directly and materially affected parties who are interested in participating as a member of an ANS consensus body for the standards listed below are requested to contact the sponsoring standards developer directly and in a timely manner.

IAPMO (Z) (International Association of Plumbing & Mechanical Officials)

Contact: Les Nelson
5001 East Philadelphia Street
Ontario, CA 91761-2816
p: (909) 218-8112
e: les.nelson@iapmo.org

New Consensus Body - Hydronics Standards Committee

Application Deadline: June 12, 2020

BSR/IAPMO H1001.1-202x,

Hydronic Heating and Cooling System Heat Transfer Fluid Treatment
(new standard)

The International Association of Plumbing and Mechanical Officials (IAPMO®) is seeking volunteers in the “general interest” and “user interest” categories, with technical background in hydronic systems and specific knowledge of heat transfer fluid treatment — such as jurisdictional authorities, regulatory agencies, testing lab and educational facility representatives — to participate on the Hydronic Standards Committee for the development of IAPMO H1001.1 as an American National Standard. The scope of the IAPMO H1001.1 standard is to establish and maintain hydronic system heat transfer fluid quality over the life of the system.

The categories of “users” and “general interest” are defined as follows:

User Interest: This category includes those who are subject to the provisions of the standards or who voluntarily use the standards (e.g., testing laboratories, certification bodies, regulatory agencies, and standards developing organizations).

General Interest: This category includes those who are neither producers nor users (e.g., academics, consumers, contractors and subcontractors, construction labor organizations, educators, researchers, and technical societies).

Anyone interested in serving, in the “user” or “general interest” category, on the Hydronic Standards Committee can complete the application online at the Standards Development web page: http://forms.iapmo.org/iapmo/committee/app_ps_committee.aspx

The deadline to submit an application is June 12.

For specific questions, you may contact Les Nelson at (909) 218-8112 or by email at les.nelson@iapmo.org.

Call for Members (ANS Consensus Bodies)

Call for Committee Members

ASC O1 – Safety Requirements for Woodworking Machinery

Are you interested in contributing to the development and maintenance of valuable industry safety standards? The ASC O1 is currently looking for members in the following categories:

- General Interest
- Government
- Producer
- User

If you are interested in joining the ASC O1, contact WMMA Associate Director Jennifer Miller at jennifer@wmma.org.

Final Actions on American National Standards

The standards actions listed below have been approved by the ANSI Board of Standards Review (BSR) or by an ANSI-Audited Designator, as applicable.

ADA (American Dental Association)

New National Adoption

ANSI/ADA Standard No. 145-2020, Interoperability of CAD/CAM Systems in Dentistry (identical national adoption of ISO 18618:2018): 5/7/2020

ANSI/ADA Standard No. 160-2020, Soft Lining Materials for Removable Dentures - Part 2: Materials for Long-Term Use (identical national adoption of ISO 10139-2:2016): 5/7/2020

ANSI/ADA Standard No. 183-2020, Reprocessable Cartridge Syringes for Intraligamentary Injections (identical national adoption of ISO 21533:2018): 5/7/2020

ANSI/ADA Standard No. 184-2020, Laser Welding and Filler Materials in Dentistry (identical national adoption of ISO 28319:2018): 5/7/2020

ANSI/ADA Standard No. 185-2020, Integrated Dental Floss and Handles (identical national adoption of ISO 28158:2018): 5/7/2020

ANSI/ADA Standard No. 41-2020, Evaluation of Biocompatibility of Medical Devices Used in Dentistry (national adoption of ISO 7405:2008 with modifications and revision of ANSI/ADA Standard No. 41-2015): 5/7/2020

ANSI/ADA Standard No. 43-2020, Electrically Powered Dental Amalgamators (identical national adoption of ISO7488:2018 and revision of ANSI/ADA Standard No. 43-1986 (R2015)): 5/7/2020

ANSI/ADA Standard No. 48-2020, Curing Lights (Powered Polymerization Activators) (identical national adoption of ISO 10650:2018 and revision of ANSI/ADA Standard No. 48-2004 (R2015)): 5/7/2020

ANSI/ADA Standard No. 69-2020, Dental Ceramic (identical national adoption of ISO 6872:2015/Amd. 1:2018 and revision of ANSI/ADA Standard No. 69-2017): 5/7/2020

ANSI/ADA Standard No. 75-2020, Soft Lining Materials for Removable Dentures - Part 1: Materials for Short-Term Use (identical national adoption of ISO 10139-1:2018 and revision of ANSI/ADA Standard No. 75-1997 (R2014)): 5/7/2020

ANSI/ADA Standard No. 97-2020, Corrosion Test Methods for Metallic Materials (identical national adoption of ISO 10271:2011 and revision of ANSI/ADA Standard No. 97-2002 (R2013)): 5/7/2020

New Standard

ANSI/ADA Standard No. 1097-2020, Digital Caries Risk Assessment Resources (new standard): 5/7/2020

ANS (American Nuclear Society)

Reaffirmation

ANSI/ANS 8.20-1991 (R2020), Nuclear Criticality Safety Training (reaffirmation of ANSI/ANS 8.20-1991 (R2015)): 5/8/2020

APA (APA - The Engineered Wood Association)

Revision

ANSI 117-2020, Standard Specification for Structural Glued Laminated Timber of Softwood Species (revision of ANSI 117-2015): 5/5/2020

ASABE (American Society of Agricultural and Biological Engineers)

New Standard

ANSI/ASABE S633 MONYEAR-2020, Testing Protocol for Landscape Irrigation Soil Moisture-Based Control Technologies (new standard): 5/11/2020

ASIS (ASIS International)

Revision

ANSI/ASIS WVPI AA-2020, Workplace Violence and Active Assailant - Prevention, Intervention, and Response (revision and redesignation of ANSI ASIS/SHRM WVPI.1-2011): 5/7/2020

ASME (American Society of Mechanical Engineers)

Revision

ANSI/ASME OM-2020, Operation and Maintenance of Nuclear Power Plants (revision of ANSI/ASME OM-2017): 5/11/2020

ANSI/ASME RT-1-2020, Safety Standard for Structural Requirements for Light Rail Vehicles (revision of ANSI/ASME RT-1-2015): 5/8/2020

B11 (B11 Standards, Inc.)

Reaffirmation

ANSI B11.1-2009 (R2020), Safety Requirements for Mechanical Power Presses (reaffirmation of ANSI B11.1-2009 (R2014)): 5/8/2020

ANSI B11.2-2013 (R2020), Safety Requirements for Hydraulic and Pneumatic Power Presses (reaffirmation of ANSI B11.2-2013): 5/8/2020

ANSI B11.3-2012 (R2020), Safety Requirements for Power Press Brakes (reaffirmation of ANSI B11.3-2012): 5/8/2020

ANSI B11.4-2003 (R2020), Safety Requirements for Shears (reaffirmation of ANSI B11.4-2003 (R2013)): 5/8/2020

ANSI B11.5-1988 (R2020), Ironworkers - Safety Requirements for Construction, Care, and Use (reaffirmation of ANSI B11.5-1988 (R2013)): 5/8/2020

ANSI B11.6-2001 (R2020), Safety Requirements for Manual Turning Machines with or without Auto Control (reaffirmation of ANSI B11.6-2001 (R2012)): 5/8/2020

ANSI B11.7-1995 (R2020), Cold Headers and Cold Formers - Safety Requirements for Construction, Care, and Use (reaffirmation of ANSI B11.7-1995 (R2015)): 5/8/2020

ANSI B11.8-2001 (R2020), Safety Requirements for Manual Milling, Drilling, & Boring Machines with or without Automatic Control (reaffirmation of ANSI B11.8-2001 (R2012)): 5/8/2020

ANSI B11.9-2010 (R2020), Safety Requirements for Grinding Machines (reaffirmation of ANSI B11.9-2010 (R2015)): 5/8/2020

ANSI B11.10-2003 (R2020), Safety Requirements for Metal Sawing Machines (reaffirmation of ANSI B11.10-2003 (R2015)): 5/8/2020

ANSI B11.12-2005 (R2020), Safety Requirements for Roll Forming & Roll Bending Machines (reaffirmation of ANSI B11.12-2005 (R2015)): 5/7/2020

ANSI B11.13-1992 (R2020), Safety Requirements for Single and Multiple-Spindle Automatic Bar, and Chucking Machines (reaffirmation of ANSI B11.13-1992 (R2012)): 5/8/2020

ANSI B11.15-2001 (R2020), Safety Requirements for Pipe, Tube and Shape Bending Machines (reaffirmation of ANSI B11.15-2001 (R2012)): 5/8/2020

ANSI B11.18-1997 (R2020), Safety Requirements for Machines Processing or Slitting Coiled or Non-Coiled Metal (reaffirmation of ANSI B11.18-1997 (R2012)): 5/8/2020

ANSI B11.21-2006 (R2020), Safety Requirements for Machine Tools Using Lasers for Processing Materials (reaffirmation of ANSI B11.21-2006 (R2012)): 5/7/2020

ANSI B11.22-2001 (R2020), Safety Requirements for Turning Centers and Automatic Numerically Controlled Turning Machines (reaffirmation of ANSI B11.22-2001 (R2012)): 5/8/2020

ANSI B11.23-2001 (R2020), Safety Requirements for Machining Centers and Automatic Numerically Controlled Milling, Drilling and Boring Machines (reaffirmation of ANSI B11.23-2001 (R2012)): 5/8/2020

ANSI B11.24-2001 (R2020), Safety Requirements for Transfer Machines (reaffirmation of ANSI B11.24-2001 (R2012)): 5/7/2020

CEMA (Conveyor Equipment Manufacturers Association)

Reaffirmation

ANSI/CEMA Standard No. 402-2003 (R2020), Belt Conveyors (reaffirmation and redesignation of ANSI/CEMA 402-2003 (R2015)): 5/7/2020

CSA (CSA America Standards Inc.)

Reaffirmation

ANSI Z21.22-2015 (R2020), Relief valves for hot water supply systems (same as CSA 4.4) (reaffirmation of ANSI Z21.22-2015): 5/8/2020

ANSI Z21.98-2015 (R2020), Non-metallic dip tubes for use in water heaters (same as CSA 4.10) (reaffirmation of ANSI Z21.98-2015): 5/8/2020

ECIA (Electronic Components Industry Association)

Revision

ANSI/EIA 747-C-2020, Adhesive backed punched plastic carrier taping of singulated bare die and other surface mount components for automatic handling of devices generally less than 1.0 mm thick (revision and redesignation of ANSI/EIA-747-B-2014): 5/7/2020

ISA (International Society of Automation)

New Standard

ANSI/ISA 95.00.08-2020, Enterprise-Control System Integration - Part 8: Information Exchange Profiles (new standard): 5/8/2020

NEMA (ASC C29) (National Electrical Manufacturers Association)

Revision

ANSI C29.11-2020, Composite Insulators - Test Methods (revision of ANSI C29.11-2012): 5/5/2020

NSF (NSF International)

Revision

ANSI/NSF 59-2020 (i8r1), Mobile Food Carts (revision of ANSI/NSF 59-2017): 5/4/2020

SAIA (ASC A92) (Scaffold & Access Industry Association)

Revision

ANSI/SAIA A92.20-2020, Design, Calculations, Safety Requirements and Test Methods for Mobile Elevating Work Platforms (MEWPs) (revision of ANSI/SAIA A92.20-2018): 5/7/2020

ANSI/SAIA A92.22-2020, Safe Use of Mobile Elevating Work Platforms (MEWPs) (revision of ANSI/SAIA A92.22-2018): 5/7/2020

SCTE (Society of Cable Telecommunications Engineers)

Revision

ANSI/SCTE 215-1-2020, HEVC Video Constraints for Cable Television - Part 1: Coding (revision of ANSI/SCTE 215-1-2018): 5/7/2020

ANSI/SCTE 215-1-1-2020, HEVC Video Constraints for Cable Television - Part 1-1: HDR10 Coding (revision of ANSI/SCTE 215-1-1-2018): 5/7/2020

ANSI/SCTE 250-2020, Real-Time Event Signaling and Management API (revision of ANSI/SCTE 250-2019): 5/7/2020

UL (Underwriters Laboratories)

Reaffirmation

ANSI/UL 10B-2015 (R2020), Standard for Fire Tests of Door Assemblies
(reaffirmation of ANSI/UL 10B-2015): 5/4/2020

ANSI/UL 248-9-2005 (R2020), Standard for Low-Voltage Fuses - Part 9: Class K
Fuses (reaffirmation of ANSI/UL 248-9-2005 (R2015)): 5/7/2020

ANSI/UL 248-14-2005 (R2020), Standard for Safety for Low-Voltage Fuses -
Part 14: Supplemental Fuses (reaffirmation of ANSI/UL 248-14-2005
(R2015)): 5/7/2020

Revision

ANSI/UL 82-2020, Standard for Safety for Electric Gardening Appliances
(revision of ANSI/UL 82-2018): 5/1/2020

ANSI/UL 493-2020, Standard for Safety for Thermoplastic-Insulated
Underground Feeder and Branch-Circuit Cables (revision of ANSI/UL 493
-2012 (R2016)): 5/7/2020

ANSI/UL 696-2010 (R2020), Standard for Safety for Electric Toys (revision of
ANSI/UL 696-2010 (R2015)): 5/6/2020

ANSI/UL 864-2020, Standard for Control Units and Accessories for Fire Alarm
Systems (revision of ANSI/UL 864-2018): 5/7/2020

ANSI/UL 924-2020, Standard for Safety for Emergency Lighting and Power
Equipment (revision of ANSI/UL 924-2018): 5/5/2020

ANSI/UL 1004-5-2020, Standard for Safety for Fire Pump Motors (revision of
ANSI/UL 1004-5-2016): 5/6/2020

ANSI/UL 1581-2020a, Standard for Safety for Reference Standard for
Electrical Wires, Cables and Flexible Cords (revision of ANSI/UL 1581
-2020): 5/7/2020

ANSI/UL 2208-2020, Standard for Safety for Solvent Distillation Units
(revision of ANSI/UL 2208-2006 (R2015)): 5/7/2020

ANSI/UL 60745-1-2020, Standard for Safety for Hand-Held Motor-Operated
Electric Tools (revision of ANSI/UL 60745-1-2019): 4/30/2020

Project Initiation Notification System (PINS)

ANSI Procedures require notification of ANSI by ANSI-accredited standards developers (ASD) of the initiation and scope of activities expected to result in new or revised American National Standards (ANS). Early notification of activity intended to reaffirm or withdraw an ANS and in some instances a PINS related to a national adoption is optional. The mechanism by which such notification is given is referred to as the PINS process. For additional information, see clause 2.4 of the ANSI Essential Requirements: Due Process Requirements for American National Standards.

Following is a list of proposed actions and new ANS that have been received recently from ASDs. Please also review the section in Standards Action entitled "American National Standards Maintained Under Continuous Maintenance" for additional or comparable information with regard to standards maintained under the continuous maintenance option. Use the following Public Document Library url to access PDF & EXCEL reports of approved & proposed ANS: [List of Approved and Proposed ANS](#)

Directly and materially affected interests wishing to receive more information or to submit comments are requested to contact the standards developer directly within 30 days of the publication of this announcement.

AAFS (American Academy of Forensic Sciences)

Contact: Teresa Ambrosius, (719) 453-1036, tambrosius@aafs.org
410 North 21st Street, Colorado Springs, CO 80904 www.aafs.org

New Standard

BSR/ASB BPR 144-202x, Best Practice Recommendations for the Verification Component in Friction Ridge Examination (new standard)

Stakeholders: Forensic science practitioners; litigators.

Project Need: The final phase of ACE-V is Verification. A second examiner will review the friction ridge impressions to determine if the original examiner's conclusions are supported by the data in the impressions. This document provides recommendations and guidance for this important quality control measure.

This document provides best practice recommendations for how to conduct the verification phase during friction ridge impression examinations. These recommendations apply to both suitability determinations and resulting conclusions addressing verification considerations (e.g., extent, utility, case type, approach), types of verification and application options, and documentation. This document does not address technical review.

AAFS (American Academy of Forensic Sciences)

Contact: Teresa Ambrosius, (719) 453-1036, tambrosius@aafs.org
410 North 21st Street, Colorado Springs, CO 80904 www.aafs.org

New Standard

BSR/ASB Std 147-202x, Standard for Analyzing and Reporting on Skeletal Trauma in Forensic Anthropology (new standard)

Stakeholders: Forensic anthropologists and the medicolegal community.

Project Need: Currently, there are no standards that define the approaches to skeletal trauma in forensic anthropology. This document fills that gap.

This standard provides requirements for documenting, describing, interpreting, and reporting skeletal trauma in forensic anthropology. It also provides requirements for the determination of trauma timing (i.e., antemortem, perimortem, or postmortem) and the identification of the mechanism that produced the trauma (i.e., high-velocity projectile, blunt force, sharp force, thermal). This document does not address cause and manner of death.

ASME (American Society of Mechanical Engineers)

Contact: Terrell Henry, (212) 591-8489, ansibox@asme.org

Two Park Avenue, M/S 6-2B, New York, NY 10016-5990 www.asme.org

New Standard

BSR/ASME PTC 19.1.1-202x, Test Uncertainty: Example Applications and Calculations (new standard)

Stakeholders: Designer, producer, manufacturer, constructor, owner, operator, consultant, user, general interest, laboratory, regulatory/government, testing services, distributor.

Project Need: This document is being developed in order to provide illustrative examples of the uncertainty analysis methods and techniques that are outlined in the ASME PTC 19.1, Test Uncertainty, standard. The presentation of each example will enable the reader to clearly identify each of the fundamental concepts that are being applied. This document will illustrate the use of the terms and methods that are presented in the ASME PTC 19.1 standard for a variety of applications that require the analysis of uncertainties for measurements and test results. Example calculations for actual testing scenarios. Where applicable, the examples will demonstrate the Taylor Series Method and Monte Carlo Method for uncertainty propagation.

ASTM (ASTM International)

Contact: Laura Klineburger, (610) 832-9744, accreditation@astm.org

100 Barr Harbor Drive, West Conshohocken, PA 19428-2959 www.astm.org

New Standard

BSR/ASTM WK72762-202x, New Practice for the Certification of Equine Surfaces (new standard)

Stakeholders: Equestrian Surfaces industry.

Project Need: As equine surface construction methods, maintenance, and footing materials continue to advance, quantifying the surface properties and characteristics of the equine surfaces for events is critical for ensuring the safety, welfare, and performance of the horse and rider. This has historically been difficult, as the tools and testing specifications needed to quantify and adequately document a surface in a consistent and comparable manner have not previously existed. This has now become possible with the development and adaptation of standardized testing methods such as the Orono Biomechanical Surface Tester (OBST) and online data archival systems designed specifically for equine surfaces.

This standard practice is intended to specify the testing and documentation requirements for the certification of equine surfaces with the objective of improving spatial and temporal consistencies at each equine surface venue as well as reducing variation between venues within similar climate regions. Areas of emphasis include standard documentation of surface design, maintenance practices, weather conditions, periodic inspections, surface modifications, and routine surface measurements.

ASTM (ASTM International)

Contact: Laura Klineburger, (610) 832-9744, accreditation@astm.org
100 Barr Harbor Drive, West Conshohocken, PA 19428-2959 www.astm.org

New Standard

BSR/ASTM WK72763-202x, New Test Methods for Experimental and Laboratory Replication of In-Situ Equine Surface Testing (new standard)

Stakeholders: Equestrian Surfaces industry.

Project Need: Performing in-situ testing of equine surfaces and materials is often impractical when designing, constructing, or evaluating new equine surfaces or test equipment. This standard provides a general test method for preparing a laboratory replicate of an in-situ and or experimental equine surface test plot that may generate conditions within a relative order of magnitude of the Functional Properties determined via in-situ OBST measurements in accordance to ASTM F3400 in a repeatable laboratory-controlled environment.

This standard test method pertains to the general construction, conditioning, and testing of an experimental or laboratory simulation of in-situ experimental equine surface testing. The test configuration is intended for use to quantify and characterize surface properties of equine surface materials, designs, and test equipment and to provide relative comparisons between surfaces in a repeatable laboratory-controlled environment.

ASTM (ASTM International)

Contact: Laura Klineburger, (610) 832-9744, accreditation@astm.org
100 Barr Harbor Drive, West Conshohocken, PA 19428-2959 www.astm.org

New Standard

BSR/ASTM WK72790-202x, New Practice for Homogeneity Evaluation of Friction Reference Surfaces Used in Pedestrian Safety Analysis (new standard)

Stakeholders: Traction industry.

Project Need: Pedestrian safety analysis is benefited by the use of reference surfaces that have standardized levels of friction; such reference surfaces can be obtained and used by product manufacturers, researchers, and investigators.

This practice provides a statistical method for evaluating the homogeneity of the frictional characteristics of reference surfaces used in human slip research and tribometry.

AWEA (American Wind Energy Association)

Contact: Michele Mihelic, (202) 383-2500, standards@awea.org
1501 M Street, NW, , Suite 1000, Washington, DC 20005 www.awea.org

New National Adoption

BSR/AWEA 61400-1-202x, Wind Energy Generation Systems - Part 1: Design requirements - Modified Adoption of IEC 61400-1 (national adoption with modifications of IEC 61400-1:2019)

Stakeholders: Wind energy stakeholders, operators, owners, developers, OEMs, contractors, subcontractors, independent service providers, and all other impacted stakeholders.

Project Need: Provide an appropriate level of protection against damage from all hazards during the planned lifetime.

This part of IEC 61400 specifies essential design requirements to ensure the structural integrity of wind turbines. Its purpose is to provide an appropriate level of protection against damage from all hazards during the planned lifetime. This document is concerned with all subsystems of wind turbines such as control and protection functions, internal electrical systems, mechanical systems, and support structures. This document applies to wind turbines of all sizes. For small wind turbines, IEC 61400-2 can be applied. IEC 61400-3-1 provides additional requirements to offshore wind turbine installations. This document is intended to be used together with the appropriate IEC and ISO standards mentioned in Clause 2.

AWEA (American Wind Energy Association)

Contact: Michele Mihelic, (202) 383-2500, standards@awea.org
1501 M Street, NW, , Suite 1000, Washington, DC 20005 www.awea.org

New National Adoption

BSR/AWEA 61400-6-202x, Wind Energy Generation Systems - Part 6: Tower and foundation design requirements - Modified Adoption of IEC 61400-6 (national adoption with modifications of IEC 61400-6:2020)

Stakeholders: Wind energy stakeholders, operators, owners, developers, OEMs, contractors, subcontractors, independent service providers, and all other impacted stakeholders.

Project Need: Specify for users how IEC 61400-6, Wind turbines - Tower and foundation design Ed. 1 (“-6”), shall be used in the United States to meet U.S. legal requirements minimally and the intended safety and reliability of the -6 generally.

The scope of this standard is to specify for users how IEC 61400-6, Wind turbines - Tower and foundation design Ed. 1 (“-6”), shall be used in the United States to meet US legal requirements minimally and the intended safety and reliability of the -6 generally.

AWEA (American Wind Energy Association)

Contact: Michele Mihelic, (202) 383-2500, standards@awea.org
1501 M Street, NW, , Suite 1000, Washington, DC 20005 www.awea.org

New Standard

BSR/AWEA 5000-1-202x, AWEA Wind Workforce Definitions 202X (new standard)

Stakeholders: Wind energy stakeholders, operators, owners, developers, OEMs, contractors, subcontractors, independent service providers, and all other impacted stakeholders.

Project Need: Provides definitions related to specific acronyms and terms contained in the Wind Technician Entry-Level Training standards.

This standard provides definitions related to specific acronyms and terms contained in the Wind Technician Entry-Level Training standards.

AWEA (American Wind Energy Association)

Contact: Michele Mihelic, (202) 383-2500, standards@awea.org
1501 M Street, NW, , Suite 1000, Washington, DC 20005 www.awea.org

New Standard

BSR/AWEA 5000-2-202x, Wind Technician Entry Level (new standard)

Stakeholders: Wind energy stakeholders, operators, owners, developers, OEMs, contractors, subcontractors, independent service providers, and all other impacted stakeholders.

Project Need: To establish minimum knowledge and competencies for an individual with no work experience as a wind technician across all platforms upon completion of an entry-level wind technician educational program (program).

A competency standard to serve as the recommended curriculum for prospective or new wind technicians. To assist employers, workforce development and training professionals, academia, and others with the minimum educational and training-related requirements for entry level Wind Energy Technicians. This standard will outline the minimum requirements for educational and training program’s learning objectives, knowledge, and skills needed for an entry-level wind energy technician position.

CGA (Compressed Gas Association)

Contact: Thomas Deary, (703) 788-2716, tdeary@cganet.com
 14501 George Carter Way, Suite 103, Chantilly, VA 20151 www.cganet.com

Revision

BSR/CGA G-13-202x, Storage and Handling of Silane and Silane Mixtures (revision of ANSI/CGA G-13-2016)

Stakeholders: Producers: Manufacturer of silane; User: Those who use silane in the manufacturing, research, or development of other products; Distributor/retailer: Silane distributors and retailers; General interest: Industrial insurers, consultants, risk prevention and assessment companies, and those with a general interest in silane. Code Developers: Fire prevention officials, building and fire code developers. Trade Association: Those representing a trade association with a direct and material interest in silane.

Project Need: The project need is to update G-13.

This standard governs the installation of systems and sources that are used to store, transfer, or contain silane or silane mixtures. This standard includes guidance for siting, design of equipment, piping and controls, and the fabrication and installation of silane gas storage and closed-use systems. Additional guidance on operational steps associated with the use of silane and silane mixtures as well as fire protection, gas monitoring, ventilation, and related safeguards are provided.

IAPMO (ASSE Chapter) (ASSE International Chapter of IAPMO)

Contact: Christopher White, (708) 995-3017, chris@asse-plumbing.org
 18927 Hickory Creek Drive, Suite 220, Mokena, IL 60448 www.asse-plumbing.org

Revision

BSR/ASSE 1001-202x, Performance Requirements for Performance Requirements for Atmospheric Type Vacuum Breakers (revision of ANSI/ASSE 1001-2017)

Stakeholders: Plumbing industry, plumbers, inspectors, contractors.

Project Need: Revise the requirements of certain applications to reflect practice and public need.

This standard applies to atmospheric-type vacuum breakers that are single pipe applied (does not apply to tank ball cocks or similar devices that depend on float-operated valves to control flow). The purpose of these devices is to provide protection of the potable water supply against pollutants or contaminants that enter the system due to backsiphonage through the outlet.

IAPMO (ASSE Chapter) (ASSE International Chapter of IAPMO)

Contact: Christopher White, (708) 995-3017, chris@asse-plumbing.org
 18927 Hickory Creek Drive, Suite 220, Mokena, IL 60448 www.asse-plumbing.org

Revision

BSR/ASSE 1008-202x, Performance Requirements for Plumbing Aspects of Residential Food Waste Disposer Units (revision of ANSI/ASSE 1008-2019)

Stakeholders: Plumbing industry, plumbers, inspectors, contractors.

Project Need: Revise the requirements of certain applications to reflect practice and public need.

This standard applies to the plumbing aspects of residential food waste disposers (referred to as the “devices” in this standard) intended primarily for installation in the residential kitchen sink outlet. When supplied with water from the sink supply faucet, these devices discharge into the sanitary drainage system.

IAPMO (ASSE Chapter) (ASSE International Chapter of IAPMO)

Contact: Christopher White, (708) 995-3017, chris@asse-plumbing.org
18927 Hickory Creek Drive, Suite 220, Mokena, IL 60448 www.asse-plumbing.org

Revision

BSR/ASSE 1019-202x, Performance Requirements for Wall Hydrant with Backflow Protection and Freeze Resistance (revision of ANSI/ASSE 1019-2011 (R2016))

Stakeholders: Plumbing industry, plumbers, inspectors, contractors.

Project Need: Revise the requirements of certain applications to reflect practice and public need.

The purpose of Wall Hydrant with Backflow Protection and Freeze Resistance (referred to as the “device” in this standard) is to provide protection of the potable water supply from contamination due to backsiphonage or backpressure and to protect the hydrant from damage due to freezing.

IAPMO (ASSE Chapter) (ASSE International Chapter of IAPMO)

Contact: Christopher White, (708) 995-3017, chris@asse-plumbing.org
18927 Hickory Creek Drive, Suite 220, Mokena, IL 60448 www.asse-plumbing.org

Revision

BSR/ASSE 1023-202x, Performance Requirements for Electrically Heated or Cooled Water Dispenser (revision of ANSI/ASSE 1023-2019)

Stakeholders: Plumbing industry, plumbers, inspectors, contractors.

Project Need: Revise the requirements of certain applications to reflect practice and public need.

Water dispensers covered by this standard include an integral electrically powered heater or cooler. (NOTE: Example products that are covered by this standard include but are not limited to under-counter-mounted water-dispensing systems, free-standing plumbed systems, free-standing bottled systems, and counter-top systems. These products are for both residential and commercial use.)

IAPMO (ASSE Chapter) (ASSE International Chapter of IAPMO)

Contact: Christopher White, (708) 995-3017, chris@asse-plumbing.org
18927 Hickory Creek Drive, Suite 220, Mokena, IL 60448 www.asse-plumbing.org

Revision

BSR/ASSE 1030-202x, Performance Requirements for Positive Pressure Reduction Devices for Sanitary Drainage System (revision of ANSI/ASSE 1030-2016)

Stakeholders: Plumbing industry, plumbers, inspectors, contractors.

Project Need: Revise the requirements of certain applications to reflect practice and public need.

Positive-pressure reduction devices (referred to as the “device” in this standard) are to be used in building drainage waste and vent (DWV) systems. They are intended to reduce the impact of short-duration air-pressure transients that arise in DWV networks through use. They are not intended to have any effect on long duration or steady-state offsets in air pressure.

IES (Illuminating Engineering Society)

Contact: Patricia McGillicuddy, (917) 913-0027, pmcgillicuddy@ies.org
120 Wall Street, Floor 17, New York, NY 10005 www.ies.org

New Standard

BSR/IES LM-UV-LEDs-202x, Approved Method: Electrical and Optical Measurements of Ultraviolet LEDs (new standard)

Stakeholders: Lighting practitioners, electrical engineers, architects, interior designers, related people in the built environment areas, regulatory/code, luminaire manufacturers and trades, testing labs, optical and vision experts, the general public, the medical profession.

Project Need: This document describes the procedures to be followed and precautions to be observed in performing accurate measurements of total radiant flux (optical power), total photon flux, electrical power, and wavelength characteristics of ultraviolet (UV) light emitting diodes (LEDs). This document covers UV LED packages (defined in ANSI/IES RP-16-10) including those with multiple chips that only emit light within the 200-nm to 400-nm wavelength range. This document covers measurement under pulse operation as well as steady DC operation of UV LEDs, and in all cases, the thermal condition of UV LEDs refers to their junction temperature. The approved methods apply to laboratory measurements.

This document is a guide developed for the measurement of ultraviolet (UV) light emitting diodes (LEDs), normally in a form of LED packages. The UV LEDs covered in this document are those that require a heat sink for their normal operation. The UV light output of an LED depends on its thermal conditions, in particular, the junction temperatures, T_j . This document provides uniform test methods for operation of UV LEDs and test methods for optic measurements measurement of UV LEDs.

IES (Illuminating Engineering Society)

Contact: Patricia McGillicuddy, (917) 913-0027, pmcgillicuddy@ies.org
120 Wall Street, Floor 17, New York, NY 10005 www.ies.org

New Standard

BSR/IES LM-UV-LPM-202x, Approved Method: Electrical and Optical Measurements of Low-Pressure Mercury Discharge Lamps (new standard)

Stakeholders: Lighting practitioners, electrical engineers, architects, interior designers, related people in the built environment areas, regulatory/code, luminaire manufacturers and trades, testing labs, optical and vision experts, the general public, medical profession.

Project Need: The low-pressure mercury lamp is an electric discharge source in which light is produced by an arc carried through vaporized mercury. The lamp consists of a discharge tube with an electrode sealed into each end. Like most electric discharge lamps, low-pressure mercury lamps must be operated either in series with a current limiting device or from an electronic circuit. This device, commonly called electromagnetic or electronic ballast, limits the arc current to the value for which each lamp type is designed. The ballast in conjunction with the appropriate power source provides the required starting and operating lamp voltages. These methods are applicable to lamps having hot cathodes and to lamps of the cold cathode variety.

This Approved Method describes the procedures to be followed and the precautions to be observed in obtaining uniform and reproducible measurements of the electrical and ultraviolet characteristics of low-pressure mercury lamps under standard conditions with a 60 Hz, alternating current circuit, and under high-frequency conditions (reference high-frequency circuits are operated at 25 kHz) using integrating sphere, goniometers, or the Keitz method. The standard wavelength range for the purposes of this document is 200 nm to 400 nm.

SAWE (Society of Allied Weights Engineers)

Contact: Jeffrey Cerro, (757) 570-1386, jeffcerro@verizon.net; douglas.fisher@collins.com

NASA Langley Research Center, MS 451, 1 N. Dryden Street, B1209, Hampton, VA 23681 www.sawe.org

New Standard

BSR/SAWE STD A-06-202X, Standard Coordinate System for Reporting the Mass Properties of Flight Vehicles RP A-6 (new standard)

Stakeholders: Aircraft, space craft, launch vehicle developers, and users.

Project Need: The recommended practice needs to be updated to incorporate additional scope, update relevant aspects that have evolved since the last major update [1999], and also go through the ANSI process to provide accredited consensus across the industry. Specifically, the RP to be updated is to include the scope of inertia topics that have impacted the missiles and space industry in the past and possibly prevent possible issues in the future. Typically used coordinate systems have also evolved over time and the recommended references need to be expanded upon to be more relevant. Incorporating the proposed additional scope into the standard will allow mass properties engineers to reduce errors or technical challenges regarding inertias and also update the coordinate system and other reporting aspect to be more current with respect to daily practices in the industry.

This standard will provide coordinate system designations for flight vehicles and standards for the placement of flight vehicle mass, center of gravity, and inertia with respect to vehicle features. Launch, space, and atmospheric vehicles are included in this standard.

TAPPI (Technical Association of the Pulp and Paper Industry)

Contact: Priscila Briggs, (770) 209-7249, standards@tappi.org

15 Technology Parkway South, Suite 115, Peachtree Corners, GA 30092 www.tappi.org

Revision

BSR/TAPPI T 835 om-202x, Water absorption of corrugating medium: Water drop absorption test (revision of ANSI/TAPPI T 835 om-2014)

Stakeholders: Manufacturers of pulp, paper, packaging, or related products; consumers or converters of such products, and suppliers of equipment, supplies, or raw materials for the manufacture of such products.

Project Need: To revise existing TAPPI/ANSI Standard based on comments received on Draft 1 ballot.

The water absorptivity of corrugating medium is measured by dropping a drop of water on the surface of a specimen and determining the time in seconds for the drop to be completely absorbed as evidenced by the loss of sheen. This method is applicable to corrugating medium as it is commercially produced by all processes. It is generally applicable to relatively unsized (water leaf) containerboards. It may not be applicable to more highly sized boards or to grades produced in different grammage (basis weight) than those normally used in corrugating medium. The precision and repeatability of test results are dependent on the grade and manufacturing process. Use caution when making comparisons between samples that differ significantly in basis weights or manufacturing process.

TIA (Telecommunications Industry Association)

Contact: Teesha Jenkins, (703) 907-7706, standards@tiaonline.org

1320 North Courthouse Road, Suite 200, Arlington, VA 22201 www.tiaonline.org

New National Adoption

BSR/TIA 455-62-B-202x, IEC-60793-1-47: Optical Fibres - Part 1-47: Measurement Methods and Test Procedures - Macrobending Loss (identical national adoption of IEC-60793-1-47)

Stakeholders: Manufacturing and end users of optical fiber.

Project Need: Update current adoptions.

Update current adoptions with readoptions of more recent IEC versions.

TIA (Telecommunications Industry Association)

Contact: Teesha Jenkins, (703) 907-7706, standards@tiaonline.org
1320 North Courthouse Road, Suite 200, Arlington, VA 22201 www.tiaonline.org

New National Adoption

BSR/TIA 455-67-A-202x, IEC-60793-1-51: Optical Fibres - Part 1-51: Measurement Methods and Test Procedures - Dry Heat (identical national adoption of IEC-60793-1-51)

Stakeholders: Manufacturing and end users of optical fiber.

Project Need: Update current adoptions.

Update current adoptions with readoptions of more recent IEC versions.

TIA (Telecommunications Industry Association)

Contact: Teesha Jenkins, (703) 907-7706, standards@tiaonline.org
1320 North Courthouse Road, Suite 200, Arlington, VA 22201 www.tiaonline.org

New National Adoption

BSR/TIA 455-74-A-202x, IEC-60793-1-53: Optical Fibres - Part 1-53: Measurement Methods and Test Procedures - Water Immersion (identical national adoption of IEC-60793-1-53)

Stakeholders: Manufacturing and end users of optical fiber.

Project Need: Update current adoptions.

Update current adoptions with readoptions of more recent IEC versions.

TIA (Telecommunications Industry Association)

Contact: Teesha Jenkins, (703) 907-7706, standards@tiaonline.org
1320 North Courthouse Road, Suite 200, Arlington, VA 22201 www.tiaonline.org

New National Adoption

BSR/TIA 455-122-B-202x, IEC 60793-1-48: Measurement Methods and Test Procedures - Polarization Mode Dispersion (identical national adoption of IEC 60793-1-48)

Stakeholders: Manufacturing and end users of optical fiber.

Project Need: Update current adoptions.

Update current adoptions with readoptions of more recent IEC versions.

TIA (Telecommunications Industry Association)

Contact: Teesha Jenkins, (703) 907-7706, standards@tiaonline.org
1320 North Courthouse Road, Suite 200, Arlington, VA 22201 www.tiaonline.org

New National Adoption

BSR/TIA 455-160-A-202x, IEC-60793-1-50: Optical Fibres - Part 1-50: Measurement Methods and Test Procedures - Damp Heat (Steady State) (identical national adoption of IEC-60793-1-50)

Stakeholders: Manufacturing and end users of optical fiber.

Project Need: Update current adoptions.

Update current adoptions with readoptions of more recent IEC versions.

TIA (Telecommunications Industry Association)

Contact: Teesha Jenkins, (703) 907-7706, standards@tiaonline.org
 1320 North Courthouse Road, Suite 200, Arlington, VA 22201 www.tiaonline.org

New National Adoption

BSR/TIA 455-175-B-202x, IEC-60793-1-42: Optical Fibres - Part 1-42: Measurement Methods and Test Procedures - Chromatic Dispersion (identical national adoption of IEC-60793-1-42)

Stakeholders: Manufacturing and end users of optical fiber.
 Project Need: Update current adoptions.
 Update current adoptions with readoptions of more recent IEC versions.

TIA (Telecommunications Industry Association)

Contact: Teesha Jenkins, (703) 907-7706, standards@tiaonline.org
 1320 North Courthouse Road, Suite 200, Arlington, VA 22201 www.tiaonline.org

New National Adoption

BSR/TIA 455-176-A-202x, IEC-60793-1-20: Optical Fibres - Part 1-20: Measurement Methods and Test Procedures - Fibre Geometry (identical national adoption of IEC-60793-1-20)

Stakeholders: Manufacturing and end users of optical fiber.
 Project Need: Update current adoptions.
 Update current adoptions with readoptions of more recent IEC versions.

TIA (Telecommunications Industry Association)

Contact: Teesha Jenkins, (703) 907-7706, standards@tiaonline.org
 1320 North Courthouse Road, Suite 200, Arlington, VA 22201 www.tiaonline.org

New National Adoption

BSR/TIA 455-177-B-202x, IEC-60793-1-43: Optical Fibres - Part 1-43: Measurement Methods and Test Procedures - Numerical Aperture (identical national adoption of IEC-60793-1-43)

Stakeholders: Manufacturing and end users of optical fiber.
 Project Need: Update current adoptions.
 Update current adoptions with readoptions of more recent IEC versions.

UL (Underwriters Laboratories)

Contact: Jeff Prusko, (847) 664-3416, jeffrey.prusko@ul.org
 333 Pfingsten Road, Northbrook, IL 60062-2096 https://ul.org/

New Standard

BSR/UL 2447-202x, Standard for Safety for Containment Sumps, Fittings and Accessories for Fuels (new standard)

Stakeholders: Manufacturers of containment sumps, sump fittings, and sump accessories; fuel station operators; environmental regulators.
 Project Need: To develop safety requirements and publish a standard for safety for containment sumps, fittings, and accessories for fuels, and intended to support national, regional, or international certification programs. These requirements cover containment sumps, and associated sump fittings and accessories (products) intended for below or at grade use as an enclosure for housing of, and access to, underground piping, connector piping, and other fueling system components (such as pumps, valves, sensors, wiring, etc.) in addition to temporary containment of typical liquid fuels as identified in this Outline. These products are intended for use in commercial (public) or private (fleet) automotive fueling station applications. Some fittings or accessory products may be optionally evaluated for repair or replacement applications in sumps that have been in service.

American National Standards Maintained Under Continuous Maintenance

The ANSI Essential Requirements: Due Process Requirements for American National Standards provides two options for the maintenance of American National Standards (ANS): periodic maintenance (see clause 4.7.1) and continuous maintenance (see clause 4.7.2). Continuous maintenance is defined as follows:

The standard shall be maintained by an accredited standards developer. A documented program for periodic publication of revisions shall be established by the standards developer. Processing of these revisions shall be in accordance with these procedures. The published standard shall include a clear statement of the intent to consider requests for change and information on the submittal of such requests. Procedures shall be established for timely, documented consensus action on each request for change and no portion of the standard shall be excluded from the revision process. In the event that no revisions are issued for a period of four years, action to reaffirm or withdraw the standard shall be taken in accordance with the procedures contained in the ANSI Essential Requirements.

The Executive Standards Council (ExSC) has determined that for standards maintained under the Continuous Maintenance option, separate PINS announcements are not required. The following ANSI Accredited Standards Developers have formally registered standards under the Continuous Maintenance option.

- **AAMI (Association for the Advancement of Medical Instrumentation)**
- **AARST (American Association of Radon Scientists and Technologists)**
- **AGA (American Gas Association)**
- **AGSC (Auto Glass Safety Council)**
- **ASC X9 (Accredited Standards Committee X9, Incorporated)**
- **ASHRAE (American Society of Heating, Refrigerating and Air-Conditioning Engineers, Inc.)**
- **ASME (American Society of Mechanical Engineers)**
- **ASTM (ASTM International)**
- **GBI (Green Building Initiative)**
- **HL7 (Health Level Seven)**
- **IES (Illuminating Engineering Society)**
- **ITI (InterNational Committee for Information Technology Standards)**
- **MHI (Material Handling Industry)**
- **NAHBRC (NAHB Research Center, Inc.)**
- **NBBPVI (National Board of Boiler and Pressure Vessel Inspectors)**
- **NCPDP (National Council for Prescription Drug Programs)**
- **NEMA (National Electrical Manufacturers Association)**
- **NISO (National Information Standards Organization)**
- **NSF (NSF International)**
- **PRCA (Professional Ropes Course Association)**
- **RESNET (Residential Energy Services Network, Inc.)**
- **SAE (SAE International)**
- **TCNA (Tile Council of North America)**
- **TIA (Telecommunications Industry Association)**
- **UL (Underwriters Laboratories)**

To obtain additional information with regard to these standards, including contact information at the ANSI Accredited Standards Developer, please visit ANSI Online at www.ansi.org/asd, select "American National Standards Maintained Under Continuous Maintenance." Questions? psa@ansi.org.

ANSI-Accredited Standards Developers Contact Information

The addresses listed in this section are to be used in conjunction with standards listed in PINS, Call for Comment and Final Actions. This section is a list of developers who have submitted standards for this issue of *Standards Action* – it is not intended to be a list of all ANSI-Accredited Standards Developers. Please send all address corrections to Standards Action Editor at standact@ansi.org.

AAFS

American Academy of Forensic Sciences
410 North 21st Street
Colorado Springs, CO 80904
Phone: (719) 453-1036
Web: www.aafs.org

ADA (Organization)

American Dental Association
211 East Chicago Avenue
Chicago, IL 60611-2678
Phone: (312) 587-4129
Web: www.ada.org

ANS

American Nuclear Society
555 North Kensington Avenue
La Grange Park, IL 60526
Phone: (708) 579-8268
Web: www.ans.org

APA

APA - The Engineered Wood Association
7011 South 19th Street
Tacoma, WA 98466
Phone: (253) 620-7467
Web: www.apawood.org

API

American Petroleum Institute
200 Massachusetts Avenue NW
Washington, DC 20001
Phone: (202) 330-9306
Web: www.api.org

ASABE

American Society of Agricultural and Biological Engineers
2950 Niles Road
Saint Joseph, MI 49085
Phone: (269) 932-7027
Web: <https://www.asabe.org/>

ASHRAE

American Society of Heating, Refrigerating and Air-Conditioning Engineers, Inc.
1791 Tullie Circle, NE
Atlanta, GA 30329
Phone: (404) 636-8400
Web: www.ashrae.org

ASIS

ASIS International
1625 Prince Street
Alexandria, VA 22314-2818
Phone: (703) 518-1439
Web: www.asisonline.org

ASME

American Society of Mechanical Engineers
Two Park Avenue
M/S 6-2B
New York, NY 10016-5990
Phone: (212) 591-8489
Web: www.asme.org

ASSP (ASC A10)

American Society of Safety Professionals
520 N. Northwest Hwy.
Park Ridge, IL 60068
Phone: (847) 768-3475
Web: www.assp.org

ASSP (Safety)

American Society of Safety Professionals
520 N. Northwest Highway
Park Ridge, IL 60068
Phone: (847) 699-2929
Web: www.assp.org

ASTM

ASTM International
100 Barr Harbor Drive
West Conshohocken, PA 19428-2959
Phone: (610) 832-9744
Web: www.astm.org

ATIS

Alliance for Telecommunications Industry Solutions
1200 G Street NW
Suite 500
Washington, DC 20005
Phone: (202) 628-6380
Web: www.atis.org

AWEA

American Wind Energy Association
1501 M Street, NW,
Suite 1000
Washington, DC 20005
Phone: (202) 383-2500
Web: www.awea.org

AWWA

American Water Works Association
6666 W. Quincy Ave.
Denver, CO 80235
Phone: (303) 347-6178
Web: www.awwa.org

B11

B11 Standards, Inc.
 P.O. Box 690905
 Houston, TX 77269
 Phone: (832) 446-6999
 Web: <https://www.b11standards.org/>

CEMA

Conveyor Equipment
 Manufacturers Association
 1250 Tamiami Trail N
 Suite 211
 Naples, FL 34102
 Phone: (239) 260-8009
 Web: www.cemanet.org

CGA

Compressed Gas Association
 14501 George Carter Way
 Suite 103
 Chantilly, VA 20151
 Phone: (703) 788-2716
 Web: www.cganet.com

CSA

CSA America Standards Inc.
 8501 E. Pleasant Valley Road
 Cleveland, OH 44131
 Phone: (216) 524-4990
 Web: www.csagroup.org

ECIA

Electronic Components Industry
 Association
 13873 Park Center Road
 Suite 315
 Herndon, VA 20171
 Phone: (571) 323-0294
 Web: www.ecianow.org

ESTA

Entertainment Services and
 Technology Association
 630 Ninth Avenue
 Suite 609
 New York, NY 10036-3748
 Phone: (212) 244-1505
 Web: www.esta.org

FCI

Fluid Controls Institute
 1300 Sumner Avenue
 Cleveland, OH 44115
 Phone: (216) 241-7333
 Web: www.fluidcontrolsinstitute.org

IAPMO (ASSE Chapter)

ASSE International Chapter of
 IAPMO
 18927 Hickory Creek Drive
 Suite 220
 Mokena, IL 60448
 Phone: (708) 995-3017
 Web: www.asse-plumbing.org

IAPMO (Z)

International Association of
 Plumbing & Mechanical Officials
 5001 East Philadelphia Street
 Ontario, CA 91761
 Phone: (909) 230-5534
 Web: <https://www.iapmostandards.org>

IEEE (ASC C63)

Institute of Electrical and
 Electronics Engineers
 445 Hoes Lane
 Piscataway, NJ 08854
 Phone: (732) 562-3874
 Web: www.ieee.org

IES

Illuminating Engineering Society
 120 Wall Street, Floor 17
 New York, NY 10005
 Phone: (917) 913-0027
 Web: www.ies.org

ISA (Organization)

International Society of
 Automation
 67 Alexander Drive
 Research Triangle Park, NC 27709
 Phone: (919) 990-9213
 Web: www.isa.org

ISEA

International Safety Equipment
 Association
 1901 North Moore Street
 Suite 808
 Arlington, VA 22209
 Phone: (703) 525-1695
 Web: www.safetysafetyequipment.org

ITI (INCITS)

InterNational Committee for
 Information Technology
 Standards
 700 K Street NW
 Suite 600
 Washington, DC 20001
 Phone: (202) 737-8888
 Web: www.incits.org

NECA

National Electrical Contractors
 Association
 3 Bethesda Metro Center
 Suite 1100
 Bethesda, MD 20814
 Phone: (301) 215-4549
 Web: www.neca-neis.org

NEMA (ASC C136)

National Electrical Manufacturers
 Association
 1300 North 17th Street
 Suite 900
 Rosslyn, VA 22209
 Phone: (703) 841-3234
 Web: www.nema.org

NEMA (ASC C29)

National Electrical Manufacturers
 Association
 1300 North 17th Street
 Suite 900
 Rosslyn, VA 22209
 Phone: (703) 841-3231
 Web: www.nema.org

NEMA (ASC C8)

National Electrical Manufacturers
Association
1300 North 17th Street
Rosslyn, VA 22209
Phone: (703) 841-3278
Web: www.nema.org

NSF

NSF International
789 N. Dixboro Road
Ann Arbor, MI 48105-9723
Phone: (734) 827-3817
Web: www.nsf.org

SAIA (ASC A92)

Scaffold & Access Industry
Association
400 Admiral Boulevard
Kansas City, MO 64106
Phone: (816) 595-4860
Web: www.saiaonline.org

SAWE

Society of Allied Weights Engineers
NASA Langley Research Center
MS 451, 1 N. Dryden Street, B1209
Hampton, VA 23681
Phone: (757) 570-1386
Web: www.sawe.org

SCTE

Society of Cable
Telecommunications Engineers
140 Philips Rd
Exton, PA 19341
Phone: (800) 542-5040
Web: www.scte.org

TAPPI

Technical Association of the Pulp
and Paper Industry
15 Technology Parkway South
Suite 115
Peachtree Corners, GA 30092
Phone: (770) 209-7249
Web: www.tappi.org

TIA

Telecommunications Industry
Association
1320 North Courthouse Road
Suite 200
Arlington, VA 22201
Phone: (703) 907-7706
Web: www.tiaonline.org

UL

Underwriters Laboratories
333 Pfingsten Road
Northbrook, IL 60062-2096
Phone: (847) 664-3416
Web: <https://ul.org/>



ISO & IEC Draft International Standards

This section lists proposed standards that the International Organization for Standardization (ISO) and the International Electrotechnical Commission (IEC) are considering for approval. The proposals have received substantial support within the technical committees or subcommittees that developed them and are now being circulated to ISO and IEC members for comment and vote. Standards Action readers interested in reviewing and commenting on these documents should order copies from ANSI.

Comments

Comments regarding ISO documents should be sent to ANSI's ISO Team (isot@ansi.org); comments on ISO documents must be submitted electronically in the approved ISO template and as a Word document as other formats will not be accepted.

Those regarding IEC documents should be sent to Tony Zertuche, General Secretary, USNC/IEC, at ANSI's New York offices (tzertuche@ansi.org). The final date for offering comments is listed after each draft.

Ordering Instructions

ISO and IEC Drafts can be made available by contacting ANSI's Customer Service department. Please e-mail your request for an ISO or IEC Draft to Customer Service at sales@ansi.org. When making your request, please provide the date of the Standards Action issue in which the draft document you are requesting appears.

ISO Standards

AGRICULTURAL FOOD PRODUCTS (TC 34)

ISO 4833-1/DAMd1, Microbiology of the food chain - Horizontal method for the enumeration of microorganisms - Part 1: Colony count at 30 degrees C by the pour plate technique - Amendment 1: Clarification of scope - 7/30/2020, \$29.00

ISO 4833-2/DAMd1, Microbiology of the food chain - Horizontal method for the enumeration of microorganisms - Part 2: Colony count at 30 degrees C by the surface plating technique - Amendment 1: Clarification of scope - 7/30/2020, \$29.00

CERAMIC TILE (TC 189)

ISO/DIS 17721-1, Quantitative determination of antibacterial activity of ceramic tile surfaces - Test methods - Part 1: Ceramic tile surfaces with incorporated antibacterial agents - 7/24/2020, \$53.00

ISO/DIS 17721-2, Quantitative determination of antibacterial activity of ceramic tile surfaces - Test methods - Part 2: Ceramic tile surfaces with incorporated photocatalytic antibacterial agents - 7/24/2020, \$58.00

ENVIRONMENTAL MANAGEMENT (TC 207)

ISO/DIS 14030-3, Environmental performance evaluation - Green debt instruments - Part 3: Taxonomy - 7/27/2020, \$185.00

GEOGRAPHIC INFORMATION/GEOMATICS (TC 211)

ISO/DIS 19148, Geographic information - Linear referencing - 7/24/2020, \$155.00

HYDROGEN ENERGY TECHNOLOGIES (TC 197)

ISO 19880-8/DAMd1, Gaseous hydrogen - Fuelling stations - Part 8: Fuel quality control - Amendment 1 - 7/24/2020, \$67.00

MATERIALS, EQUIPMENT AND OFFSHORE STRUCTURES FOR PETROLEUM AND NATURAL GAS INDUSTRIES (TC 67)

ISO/DIS 18797-2, Petroleum, petrochemical and natural gas industries - External corrosion protection of risers by coatings and linings - Part 2: Maintenance and field repair coatings for riser pipes - 7/27/2020, \$125.00

PAPER, BOARD AND PULPS (TC 6)

ISO/DIS 638-2, Paper, board, pulps and cellulosic nanomaterials - Determination of dry matter content by oven-drying method - Part 2: Suspensions of cellulosic nanomaterials - 7/26/2020, \$53.00

PLASTICS (TC 61)

ISO/DIS 527-4, Plastics - Determination of tensile properties - Part 4: Test conditions for isotropic and orthotropic fibre-reinforced plastic composites - 7/25/2020, \$88.00

ISO/DIS 527-5, Plastics - Determination of tensile properties - Part 5: Test conditions for unidirectional fibre-reinforced plastic composites - 7/25/2020, \$67.00

ISO/DIS 8985, Plastics - Ethylene/vinyl acetate copolymer (EVAC) thermoplastics - Determination of vinyl acetate content - 7/23/2020, \$82.00

ISO/DIS 14852, Determination of the ultimate aerobic biodegradability of plastic materials in an aqueous medium - Method by analysis of evolved carbon dioxide - 7/26/2020, \$77.00

ISO/DIS 24076, Plastics - Polypropylene (PP) - Determination of isotactic index by low-resolution nuclear magnetic resonance spectrometry - 7/17/2020, \$46.00

ISO/DIS 13000-1, Plastics - Polytetrafluoroethylene (PTFE) semi-finished products - Part 1: Requirements and designation - 7/27/2020, \$53.00

ISO/DIS 13000-2, Plastics - Polytetrafluoroethylene (PTFE) semi-finished products - Part 2: Preparation of test specimens and determination of properties - 7/27/2020, \$58.00

RAILWAY APPLICATIONS (TC 269)

ISO/DIS 23300-1, Railway applications - Rail Welding - Part 1: General requirements and test methods for rail welding - 7/24/2020, \$102.00

RARE EARTH (TC 298)

ISO/DIS 22927, Rare earth - Packaging and labelling - 7/26/2020, \$58.00

ROAD VEHICLES (TC 22)

ISO/DIS 21782-4, Electrically propelled road vehicles - Test specification for electric propulsion components - Part 4: Performance testing of the DC/DC converter - 7/26/2020, \$53.00

ISO/DIS 21782-5, Electrically propelled road vehicles - Test specification for electric propulsion components - Part 5: Operating load testing of the motor system - 7/26/2020, \$67.00

ISO/DIS 21782-7, Electrically propelled road vehicles - Test specification for electric propulsion components - Part 7: Operating load testing of the DC/DC converter - 7/26/2020, \$40.00

SURFACE CHEMICAL ANALYSIS (TC 201)

ISO/DIS 18114, Surface chemical analysis - Secondary-ion mass spectrometry - Determination of relative sensitivity factors from ion-implanted reference materials - 7/27/2020, FREE

TRACTORS AND MACHINERY FOR AGRICULTURE AND FORESTRY (TC 23)

ISO/DIS 15886-3, Agricultural irrigation equipment - Sprinklers - Part 3: Characterization of distribution and test methods - 7/23/2020, \$77.00

TYRES, RIMS AND VALVES (TC 31)

ISO/DIS 5775-2, Bicycle tyres and rims - Part 2: Rims - 7/25/2020, \$62.00

WATER QUALITY (TC 147)

ISO/DIS 22104, Water quality - Determination of microcystins - Method using liquid chromatography and tandem mass spectrometry (LC-MS/MS) - 7/25/2020, \$98.00

ISO/IEC JTC 1, Information Technology

ISO/IEC 23000-19/DAMd1, Information technology - Multimedia application format (MPEG-A) - Part 19: Common media application format (CMAF) for segmented media - Amendment 1: Additional CMAF HEVC media profiles - 7/25/2020, \$33.00

ISO/IEC 23000-22/DAMd1, Information technology - Multimedia application format (MPEG-A) - Part 22: Multi-image application format (MIAF) - Amendment 1: Reference software and conformance for multi image application format - 7/24/2020, \$82.00

ISO/IEC DIS 5230, Information technology - OpenChain Specification - 7/25/2020, \$46.00

ISO/IEC DIS 11160-2, Office equipment - Minimum information to be included in specification sheets - Part 2: Class 3 and Class 4 printers - 7/23/2020, \$71.00

ISO/IEC DIS 23094-2, Information technology - General video coding - Part 2: Low complexity enhancement video coding - 7/24/2020, \$165.00

ISO/IEC DIS 23264-1, Information security - Redaction of authentic data - Part 1: General - 7/24/2020, \$58.00

ISO/IEC DIS 30145-1, Information technology - Smart City ICT reference framework - Part 1: Smart city business process framework - 7/24/2020, \$98.00

IEC Standards

2/1998/FDIS, IEC 60034-18-42/AMD1 ED1: Amendment 1 - Rotating electrical machines - Part 18-42: Partial discharge resistant electrical insulation systems (Type II) used in rotating electrical machines fed from voltage converters - Qualification tests, 2020/6/19

14/1050(F)/FDIS, IEC 60076-24 ED1: Power transformers - Part 24: Specification of voltage regulating distribution transformers (VRDT), 2020/6/12

17/1075/CD, IEC 62271-4 ED2: High-voltage switchgear and controlgear - Part 4: Handling procedures for gases and gas mixtures for interruption and insulation, 2020/7/31

17A/1273/FDIS, IEC 62271-104 ED3: High-voltage switchgear and controlgear - Part 104: Alternating current switches for rated voltages higher than 52 kV, 2020/6/19

17A/1266/CDV, IEC/IEEE 62271-37-013 ED2: High-voltage switchgear and controlgear - Part 37-013: Alternating-current generator circuit-breakers, 2020/7/31

22F/582/CD, IEC 60700-1/AMD1 ED2: Amendment 1 - Thyristor valves for high voltage direct current (HVDC) power transmission - Part 1: Electrical testing, 020/7/31

25/696/CD, IEC 80000-17 ED1: Quantities and units - Part 17: Time dependency, 2020/7/31

34D/1543/FDIS, IEC 60598-2-23 ED2: Luminaires - Part 2-23: Particular requirements - Extra-low-voltage lighting systems for ELV light sources, 2020/6/19

34D/1545/CD, IEC 60598-1/FRAG4 ED10: Fragment 4 - Luminaires - Part 1: General requirements and tests, 2020/7/31

34D/1544/CD, IEC 60598-1/FRAG3 ED10: Fragment 3 - Luminaires - Part 1: General requirements and tests, 2020/7/31

46/778/CD, IEC 62037-7 ED1: Passive RF and microwave devices, intermodulation level measurement - Part 7: Field measurements of passive intermodulation, 2020/7/31

46/774/CDV, IEC 62153-4-7 ED3: Metallic cables and other passive components test methods - Part 4-7: Electromagnetic compatibility (EMC) - Test method for measuring of transfer impedance Z_T and screening attenuation a_S or coupling attenuation a_C of connectors and assemblies - Triaxial tube in tube method, 2020/7/31

47/2630/FDIS, IEC 60749-15 ED3: Semiconductor devices - Mechanical and climatic test methods - Part 15: Resistance to soldering temperature for through-hole mounted devices, 2020/6/19

49/1345/CD, IEC 63041-1 ED2: Piezoelectric sensors - Part 1: Generic specifications, 2020/7/31

- 57/2217(F)/FDIS, IEC 62351-4/AMD1 ED1: Amendment 1 - Power systems management and associated information exchange - Data and communications security - Part 4: Profiles including MMS and derivatives, 2020/5/29
- 57/2220/CD, IEC 62325-451-8 ED1: Framework for energy market communications - Part 451-8: HVDC processes, contextual and assembly models for European style market, 2020/7/31
- 59C/247/CDV, IEC 63159-2-2 ED1: Household electric instantaneous water heaters - Methods for measuring the performance - Part 2-2: Efficiency of single point of use electric instantaneous water heaters, 2020/7/31
- 59C/245/CDV, IEC 63159-1 ED1: Household electric instantaneous water heaters - Methods for measuring the performance - Part 1: General aspects, 2020/7/31
- 59C/246/CDV, IEC 63159-2-1 ED1: Household electric instantaneous water heaters - Methods for measuring the performance - Part 2-1: Multifunctional electric instantaneous water heaters, 2020/7/31
- 59M/123(F)/FDIS, IEC 63169 ED1: Electrical household and similar cooling and freezing appliances - Food preservation, 2020/5/29
- 62A/1396(F)/FDIS, IEC 60601-1-12/AMD1 ED1: Amendment 1 - Medical electrical equipment - Part 1-12: General requirements for basic safety and essential performance - Collateral Standard: Requirements for medical electrical equipment and medical electrical systems intended for use in the emergency medical services environment, 020/6/5/
- 62A/1394(F)/FDIS, IEC 60601-1-10/AMD2 ED1: Amendment 2 - Medical electrical equipment - Part 1-10: General requirements for basic safety and essential performance - Collateral Standard: Requirements for the development of physiologic closed-loop controllers, 020/6/5/
- 65/794/CDV, IEC 62872-2 ED1: Internet of Things (IoT) - Application framework for industrial facility demand response energy management, 2020/7/31
- 68/659/CD, IEC 60404-6/AMD1 ED3: Amendment 1 - Magnetic materials - Part 6: Methods of measurement of the magnetic properties of magnetically soft metallic and powder materials at frequencies in the range 20 Hz to 100 kHz by the use of ring specimens, 2020/7/31
- 68/658/CD, IEC 60404-12 ED2: Magnetic materials - Part 12: Methods of test for the assessment of thermal endurance of surface insulation coatings on electrical steel strip and sheet, 2020/8/28
- 78/1315A/CD, IEC 62819 ED1: Live working - Eye, face and head protectors against the effects of electric arc - Test methods and performance requirements, 2020/7/31
- 86A/2008(F)/FDIS, IEC 60794-1-215 ED1: Optical Fibre Cables - Part 1-215: Generic specification - Basic optical cable test procedures- Environmental test methods - Cable external freezing test, Method F15, 2020/6/12
- 86C/1667/FDIS, IEC 62149-5 ED3: Fibre optic active components and devices - Performance standards - Part 5: ATM-PON transceivers with LD driver and CDR ICs, 2020/6/19
- 100/3436/NP, PNW 100-3436 ED1: Time-division duplex(TDD) communication-based controlling technology for RF beamforming wireless power transfer, 2020/7/31
- 113/540/CD, IEC TS 62607-9-1 ED1: Nanomanufacturing - Key control characteristics - Part 9-1: Traceable spatially resolved nano-scale stray magnetic field measurements - Magnetic force microscopy, 2020/7/31
- 116/459/FDIS, IEC 62841-2-6 ED1: Electric motor-operated hand-held tools, transportable tools and lawn and garden machinery - Safety - Part 2-6: Particular requirements for hand-held hammers, 2020/6/19
- 117/117/CDV, IEC 62862-3-1 ED1: Solar thermal electric plants - Part 3-1: General requirements for the design of parabolic trough solar thermal electric plants, 2020/7/31
- 117/118/CDV, IEC 62862-4-1 ED1: Solar thermal electric plants - Part 4-1: General requirements for the design of solar tower plants, 2020/7/31



Newly Published ISO & IEC Standards

Listed here are new and revised standards recently approved and promulgated by ISO - the International Organization for Standardization – and IEC – the International Electrotechnical Commission. Most are available at the ANSI Electronic Standards Store (ESS) at www.ansi.org. All paper copies are available from Standards resellers (<http://webstore.ansi.org/faq.aspx#resellers>).

ISO Standards

AIR QUALITY (TC 146)

[ISO 15202-2:2020](#), Workplace air - Determination of metals and metalloids in airborne particulate matter by inductively coupled plasma atomic emission spectrometry - Part 2: Sample preparation, \$185.00

AIRCRAFT AND SPACE VEHICLES (TC 20)

[ISO 16404:2020](#), Space systems - Programme management - Requirements management, \$103.00

COSMETICS (TC 217)

[ISO 16217:2020](#), Cosmetics - Sun protection test methods - Water immersion procedure for determining water resistance, \$68.00

EARTH-MOVING MACHINERY (TC 127)

[ISO 10968:2020](#), Earth-moving machinery - Operators controls, \$162.00

ERGONOMICS (TC 159)

[ISO 9241-394:2020](#), Ergonomics of human-system interaction - Part 394: Ergonomic requirements for reducing undesirable biomedical effects of visually induced motion sickness during watching electronic images, \$138.00

HEALTH INFORMATICS (TC 215)

[ISO 17115:2020](#), Health informatics - Representation of categorial structures of terminology (CatStructure), \$68.00

MEDICAL DEVICES FOR INJECTIONS (TC 84)

[ISO 7886-3:2020](#), Sterile hypodermic syringes for single use - Part 3: Auto-disabled syringes for fixed-dose immunization, \$103.00

NUCLEAR ENERGY (TC 85)

[ISO 12749-1:2020](#), Nuclear energy - Vocabulary - Part 1: General terminology, \$45.00

OTHER

[ISO 3376:2020](#), Leather - Physical and mechanical tests - Determination of tensile strength and percentage elongation, \$45.00

PAINTS AND VARNISHES (TC 35)

[ISO 20566:2020](#), Paints and varnishes - Determination of the scratch resistance of a coating system using a laboratory-scale car-wash, \$68.00

[ISO 22553-7:2020](#), Paints and varnishes - Electro-deposition coatings - Part 7: Electrical wet-film resistance, \$68.00

[ISO 22553-9:2020](#), Paints and varnishes - Electro-deposition coatings - Part 9: Stoving loss, \$68.00

[ISO 22553-12:2020](#), Paints and varnishes - Electro-deposition coatings - Part 12: Sedimentation on horizontal areas, \$45.00

PAPER, BOARD AND PULPS (TC 6)

[ISO 8791-5:2020](#), Paper and board - Determination of roughness/smoothness (air leak methods) - Part 5: Oken method, \$103.00

PERSONAL SAFETY - PROTECTIVE CLOTHING AND EQUIPMENT (TC 94)

[ISO 16900-7:2020](#), Respiratory protective devices - Methods of test and test equipment - Part 7: Practical performance test methods, \$68.00

[ISO 16900-14:2020](#), Respiratory protective devices - Methods of test and test equipment - Part 14: Measurement of sound pressure level, \$68.00

PLAIN BEARINGS (TC 123)

[ISO 3547-6:2020](#), Plain bearings - Wrapped bushes - Part 6: Checking the inside diameter, \$45.00

[ISO 3547-7:2020](#), Plain bearings - Wrapped bushes - Part 7: Measurement of wall thickness of thin-walled bushes, \$45.00

RAILWAY APPLICATIONS (TC 269)

[ISO 22888:2020](#), Railway applications - Concepts and basic requirements for the planning of railway operation in the event of earthquakes, \$103.00

ROAD VEHICLES (TC 22)

[ISO 17479/Amd1:2020](#), Motorcycles - Measurement methods for gaseous exhaust emissions during inspection or maintenance - Amendment 1, \$19.00

RUBBER AND RUBBER PRODUCTS (TC 45)

[ISO 2453:2020](#), Rubber, raw styrene-butadiene, emulsion-polymerized - Determination of bound styrene content - Refractive index method, \$68.00

SOLID BIOFUELS (TC 238)

[ISO 20049-1:2020](#), Solid biofuels - Determination of self-heating of pelletized biofuels - Part 1: Isothermal calorimetry, \$162.00

ISO Technical Reports

BLOCKCHAIN AND DISTRIBUTED LEDGER TECHNOLOGIES (TC 307)

[ISO/TR 23244:2020](#), Blockchain and distributed ledger technologies - Privacy and personally identifiable information protection considerations, \$103.00

CARBON DIOXIDE CAPTURE, TRANSPORTATION, AND GEOLOGICAL STORAGE (TC 265)

[ISO/TR 27921:2020](#), Carbon dioxide capture, transportation, and geological storage - Cross Cutting Issues - CO2 stream composition, \$185.00

NUCLEAR ENERGY (TC 85)

[ISO/TR 22930-1:2020](#), Evaluating the performance of continuous air monitors - Part 1: Air monitors based on accumulation sampling techniques, \$209.00

[ISO/TR 22930-2:2020](#), Evaluating the performance of continuous air monitors - Part 2: Air monitors based on flow-through sampling techniques without accumulation, \$162.00

ISO Technical Specifications

NANOTECHNOLOGIES (TC 229)

[ISO/TS 22082:2020](#), Nanotechnologies - Assessment of nanomaterial toxicity using dechorionated zebrafish embryo, \$103.00

ROAD VEHICLES (TC 22)

[ISO/TS 7637-4:2020](#), Road Vehicles - Electrical disturbance by conduction and coupling - Part 4: Electrical transient conduction along shielded high voltage supply lines only, \$138.00

IEC Standards

ELECTRIC CABLES (TC 20)

[IEC 62893-4-1 Ed. 1.0 en:2020](#), Charging cables for electric vehicles of rated voltages up to and including 0,6/1 kV - Part 4-1: Cables for DC charging according to mode 4 of IEC 61851-1 - DC charging without use of a thermal management system, \$117.00

ENVIRONMENTAL CONDITIONS, CLASSIFICATION AND METHODS OF TEST (TC 104)

[IEC 60721-3-0 Ed. 2.0 b:2020](#), Classification of environmental conditions - Part 3-0: Classification of groups of environmental parameters and their severities - Introduction, \$47.00

FIBRE OPTICS (TC 86)

[IEC 61300-3-55 Ed. 1.0 b:2020](#), Fibre optic interconnecting devices and passive components - Basic test and measurement procedures - Part 3-55: Examinations and measurements - Polarisation extinction ratio and keying accuracy of polarisation maintaining, passive, optical components, \$199.00

FUEL CELL TECHNOLOGIES (TC 105)

[IEC 62282-2-100 Ed. 1.0 b:2020](#), Fuel cell technologies - Part 2-100: Fuel cell modules - Safety, \$281.00

INDUSTRIAL ELECTROHEATING EQUIPMENT (TC 27)

[IEC 60519-8 Ed. 3.0 b:2020](#), Safety in installations for electroheating and electromagnetic processing - Part 8: Particular requirements for electroslag remelting furnaces, \$164.00

MAGNETIC COMPONENTS AND FERRITE MATERIALS (TC 51)

[IEC 61631 Ed. 2.0 en:2020](#), Test method for the mechanical strength of cores made of magnetic oxides, \$82.00

[S+ IEC 61631 Ed. 2.0 en:2020 \(Redline version\)](#), Test method for the mechanical strength of cores made of magnetic oxides, \$107.00

NUCLEAR INSTRUMENTATION (TC 45)

[IEC 62566-2 Ed. 1.0 b:2020](#), Nuclear power plants - Instrumentation and control systems important to safety - Development of HDL-programmed integrated circuits - Part 2: HDL-programmed integrated circuits for systems performing category B or C functions, \$317.00

OTHER

[CISPR/TR 29 Ed. 2.0 en:2020](#), Television broadcast receivers and associated equipment - Immunity characteristics - Methods of objective picture assessment, \$82.00

[S+ CISPR/TR 29 Ed. 2.0 en:2020 \(Redline version\)](#), Television broadcast receivers and associated equipment - Immunity characteristics - Methods of objective picture assessment, \$107.00

POWER TRANSFORMERS (TC 14)

[IEC 60076-22-7 Ed. 1.0 b:2020](#), Power transformers - Part 22-7: Power transformer and reactor fittings - Accessories and fittings, \$352.00

SURGE ARRESTERS (TC 37)

[IEC 61643-12 Ed. 3.0 b:2020](#), Low-voltage surge protective devices - Part 12: Surge protective devices connected to low-voltage power systems - Selection and application principles, \$410.00

WINDING WIRES (TC 55)

[IEC 60317-61 Ed. 2.0 b:2020](#), Specifications for particular types of winding wires - Part 61: Polyester glass-fibre wound, resin or varnish impregnated, bare or enamelled rectangular copper wire, temperature index 180, \$47.00

[S+ IEC 60317-61 Ed. 2.0 en:2020 \(Redline version\)](#), Specifications for particular types of winding wires - Part 61: Polyester glass-fibre wound, resin or varnish impregnated, bare or enamelled rectangular copper wire, temperature index 180, \$61.00

IEC Technical Reports

ELECTROMAGNETIC COMPATIBILITY (TC 77)

[IEC/TR 61000-1-1 Ed. 1.0 b:1992](#), Electromagnetic compatibility (EMC) - Part 1: General - Section 1: Application and interpretation of fundamental definitions and terms, \$199.00

[IEC/TR 61000-1-1 Ed. 1.0 b:1992](#), Electromagnetic compatibility (EMC) - Part 1: General - Section 1: Application and interpretation of fundamental definitions and terms, \$199.00

ENVIRONMENTAL STANDARDIZATION FOR ELECTRICAL AND ELECTRONIC PRODUCTS AND SYSTEMS (TC 111)

[IEC/TR 63212 Ed. 1.0 en:2020](#), Harmonization of environmental performance criteria for electrical and electronic products - Feasibility study, \$235.00

FLAT PANEL DISPLAY DEVICES (TC 110)

[IEC/TR 62629-51-1 Ed. 1.0 en:2020](#), 3D display devices - Part 51-1: Generic introduction of aerial display, \$164.00

IEC Technical Specifications

CABLES, WIRES, WAVEGUIDES, R.F. CONNECTORS, AND ACCESSORIES FOR COMMUNICATION AND SIGNALLING (TC 46)

[IEC/TS 62153-4-1 Amd.1 Ed. 1.0 en:2020](#), Amendment 1 - Metallic communication cable test methods - Part 4-1: Electromagnetic compatibility (EMC) - Introduction to electromagnetic (EMC) screening measurements, \$82.00

[IEC/TS 62153-4-1 Ed. 1.1 en:2020](#), Metallic communication cable test methods - Part 4-1: Electromagnetic compatibility (EMC) - Introduction to electromagnetic (EMC) screening measurements, \$586.00

Proposed Foreign Government Regulations

Call for Comment

U.S. manufacturers, exporters, regulatory agencies and standards developing organizations may be interested in proposed foreign technical regulations notified by Member countries of the World Trade Organization (WTO). In accordance with the WTO Agreement on Technical Barriers to Trade (TBT Agreement), Members are required to notify proposed technical regulations that may significantly affect trade to the WTO Secretariat in Geneva, Switzerland. In turn, the Secretariat issues and makes available these notifications. The purpose of the notification requirement is to provide global trading partners with an opportunity to review and comment on the regulations before they become final.

The USA Inquiry Point for the WTO TBT Agreement is located at the National Institute of Standards and Technology (NIST) in the Standards Coordination Office (SCO). The Inquiry Point distributes the notified proposed foreign technical regulations (notifications) and makes the associated full-texts available to U.S. stakeholders via its online service, Notify U.S. Interested U.S. parties can register with Notify U.S. to receive e-mail alerts when notifications are added from countries and industry sectors of interest to them.

To register for Notify U.S., please visit <http://www.nist.gov/notifyus/>.

The USA WTO TBT Inquiry Point is the official channel for distributing U.S. comments to the network of WTO TBT Enquiry Points around the world. U.S. business contacts interested in commenting on the notifications are asked to review the comment guidance available on Notify U.S. at <https://tsapps.nist.gov/notifyus/data/guidance/guidance.cfm> prior to submitting comments.

For further information about the USA TBT Inquiry Point, please visit: <https://www.nist.gov/standardsgov/what-we-do/trade-regulatory-programs/usa-wto-tbt-inquiry-point>

Contact the USA TBT Inquiry Point at:(301) 975-2918; Fax: (301) 926-1559; E-mail: usatbtep@nist.gov or notifyus@nist.gov.

Information Concerning

American National Standards

Call for Members

INCITS Executive Board – ANSI Accredited SDO and US TAG to ISO/IEC JTC 1, Information Technology

The InterNational Committee for Information Technology Standards (INCITS), an ANSI accredited SDO, is the forum of choice for information technology developers, producers and users for the creation and maintenance of formal de jure IT standards. INCITS' mission is to promote the effective use of Information and Communication Technology through standardization in a way that balances the interests of all stakeholders and increases the global competitiveness of the member organizations.

The INCITS Executive Board serves as the consensus body with oversight of its 40+ Technical Committees. Additionally, the INCITS Executive Board has the international leadership role as the US Technical Advisory Group (TAG) to ISO/IEC JTC 1, Information Technology.

Membership in the INCITS Executive Board is open to all directly and materially affected parties in accordance with INCITS membership rules. To find out more about participating on the INCITS Executive Board, contact Jennifer Garner at jgarner@itic.org or visit <http://www.incits.org/participation/membership-info> for more information.

Membership in all interest categories is always welcome; however, the INCITS Executive Board seeks to broaden its membership base in the following categories:

- Service Providers
- Users
- Standards Development Organizations and Consortia
- Academic Institutions

Society of Cable Telecommunications

ANSI Accredited Standards Developer

SCTE, an ANSI-accredited SDO, is the primary organization for the creation and maintenance of standards for the cable telecommunications industry. SCTE's standards mission is to develop standards that meet the needs of cable system operators, content providers, network and customer premises equipment manufacturers, and all others who have an interest in the industry through a fair, balanced and transparent process.

SCTE is currently seeking to broaden the membership base of its consensus bodies and is interested in new members in all membership categories to participate in new work in fiber-optic networks, advanced advertising, 3D television, and other important topics. Of particular interest is membership from the content (program and advertising) provider and user communities.

Membership in the SCTE Standards Program is open to all directly a materially affected parties as defined in SCTE's membership rules and operating procedures. More information is available at www.scte.org or by e-mail from standards@scte.org.

ANSI Accredited Standards Developers

Approval of Reaccreditation

Cool Roof Rating Council (CRRC)

ANSI's Executive Standards Council has approved the reaccreditation of the Cool Roof Rating Council (CRRC), an ANSI Member and Accredited Standards Developer, under its recently revised operating procedures for documenting consensus on CRRC-sponsored American National Standards, effective May 13, 2020. For additional information, please contact: Ms. Sarah Schneider, Deputy Director, Cool Roof Rating Council, 2435 Lombard Street, Portland, OR 97217; phone: 503.606.8448, ext. 502; e-mail: sarah@coolroofs.org.

International Organization for Standardization (ISO)

Call for International (ISO) Secretariat

ISO/TC 71 – Concrete, reinforced concrete and pre-stressed concrete

Comment Deadline: June 5, 2020

Currently, the U.S. holds a leadership position as Secretariat of ISO/TC 71 – Concrete, reinforced concrete and pre-stressed concrete. ANSI has delegated the responsibility for the administration of the Secretariat for ISO/TC 71 to the American Concrete Institute (ACI). ACI International has advised ANSI of its intent to relinquish its role as delegated Secretariat for this committee.

ISO/TC 71 operates under the following scope:

Standardization of the technology of concrete, of the design and construction of concrete, reinforced concrete and pre-stressed concrete structures, so as to ensure progressive development both in quality and in price reduction; and of definitions and terms, as well as testing procedures, to facilitate international exchange of research work.

ANSI is seeking organizations in the U.S. that may be interested in assuming the role of delegated Secretariat for ISO/TC 71. Alternatively, ANSI may be assigned the responsibility for administering an ISO Secretariat. Any request that ANSI accept the direct administration of an ISO Secretariat shall demonstrate that:

- (1) The affected interests have made a financial commitment for not less than three years covering all defined costs incurred by ANSI associated with holding the Secretariat;
- (2) The affected technical sector, organizations or companies desiring that the U.S. hold the Secretariat request that ANSI perform this function;
- (3) The relevant U.S. TAG has been consulted with regard to ANSI's potential role as Secretariat; and
- (4) ANSI is able to fulfill the requirements of a Secretariat.

If no U.S. organization steps forward to assume the ISO/TC 71 Secretariat, or if there is insufficient support for ANSI to assume direct administration of this activity by June 5, then ANSI will inform the ISO Central Secretariat that the U.S. will relinquish its leadership of the committee. This will allow ISO to solicit offers from other countries interested in assuming the Secretariat role.

Information concerning the United States retaining the role of international Secretariat may be obtained by contacting ANSI's ISO Team (isot@ansi.org).

ISO/TC 71/SC 4 – Performance requirements for structural concrete

Comment Deadline: June 5, 2020

Currently, the U.S. holds a leadership position as Secretariat of ISO/TC 71/SC 4 – Performance requirements for structural concrete. ANSI has delegated the responsibility for the administration of the Secretariat for ISO/TC 71/SC 4 to the American Concrete Institute (ACI). ACI International has advised ANSI of its intent to relinquish its role as delegated Secretariat for this committee.

ISO/TC 71/SC 4 operates in the area of "Performance requirements for structural concrete" under the scope of ISO/TC 71:

Standardization of the technology of concrete, of the design and construction of concrete, reinforced concrete and pre-stressed concrete structures, so as to ensure progressive development both in quality and in price reduction; and of definitions and terms, as well as testing procedures, to facilitate international exchange of research work.

ANSI is seeking organizations in the U.S. that may be interested in assuming the role of delegated Secretariat for ISO/TC 71/SC 4. Alternatively, ANSI may be assigned the responsibility for administering an ISO Secretariat. Any request that ANSI accept the direct administration of an ISO Secretariat shall demonstrate that:

- (1) The affected interests have made a financial commitment for not less than three years covering all defined costs incurred by ANSI associated with holding the Secretariat;
- (2) The affected technical sector, organizations or companies desiring that the U.S. hold the Secretariat request that ANSI perform this function;
- (3) The relevant U.S. TAG has been consulted with regard to ANSI's potential role as Secretariat; and
- (4) ANSI is able to fulfill the requirements of a Secretariat.

If no U.S. organization steps forward to assume the ISO/TC 71/SC 4 Secretariat, or if there is insufficient support for ANSI to assume direct administration of this activity by June 5, then ANSI will inform the ISO Central Secretariat that the U.S. will relinquish its leadership of the committee. This will allow ISO to solicit offers from other countries interested in assuming the Secretariat role.

Information concerning the United States retaining the role of international Secretariat may be obtained by contacting ANSI's ISO Team (isot@ansi.org).

ISO New Work Item Proposal

Managing Risk for Youth and School Trips

Comment Deadline: June 5, 2020

COPOLCO, the ISO Policy Advisory Committee on Consumer Issues, and SCC, has submitted to ISO a proposal for new work item proposal for the development of an ISO standard on Managing risk for youth and school trips, with the following scope statement:

We envision a new ISO standard which will provide guidance for managing risk for youth (in particular, minors due to their particular vulnerabilities) and school trips for both domestic and international travel. The standard will gather best practices to address typical risks for this sector such as behavioral breaches and carelessness of students, weather-related problems, requirements for those with special needs (such as travelers with disabilities), technical elements such as mechanical failures of equipment, etc. The standard will benefit both the travelers themselves and the organizations that serve them by covering:

- Safety and security of groups of young people travelling (specifically but not limited to school groups);
- Risk management for organizations such as school boards, tourist attractions, tour operators, service providers, and recreational activities, etc.

NOTE: This proposed standard will not include how to organize such trips and it will not be limited to adventure travel.

Anyone wishing to review the proposal can request a copy by contacting ANSI's ISO Team (isot@ansi.org), with a submission of comments to Steve Cornish (scornish@ansi.org) by close of business on Friday, June 5, 2020.

ISO Proposal for a New Field of ISO Technical Activity

Child Care Articles

Comment Deadline: June 5, 2020

AFNOR, the ISO member body for France, has submitted to ISO a proposal for a new field of ISO technical activity on Child care articles, with the following scope statement:

Standardization of horizontal requirements of any product designed or obviously intended to safely ensure and facilitate seating, bathing, changing and general body care, feeding, sleeping, transportation and protection for young children. Standardization of all products related to child care for which no other Technical Committee exists. The main focus is for products intended for children up to 4 years old.

Anyone wishing to review the proposal can request a copy by contacting ANSI's ISO Team (isot@ansi.org), with a submission of comments to Steve Cornish (scornish@ansi.org) by close of business on Friday, June 5, 2020.

Social Responsibility

Comment Deadline: June 5, 2020

AFNOR, the ISO member body for France, has submitted to ISO a proposal for a new field of ISO technical activity on social Responsibility, with the following scope statement:

Standardization in the field of Social Responsibility to provide guidance and framework to all types of organizations, regardless of their size, activity or location. It allows organizations to challenge their own practices, define their corporate social responsibility and thus devise strategies to enhance their contribution to sustainable development.

Anyone wishing to review the proposal can request a copy by contacting ANSI's ISO Team (isot@ansi.org), with a submission of comments to Steve Cornish (scornish@ansi.org) by close of business on Friday, June 5, 2020.

U.S. Technical Advisory Group

Approval of Reaccreditation

U.S. TAG to ISO TC 260 – Human Resource Management

ANSI's Executive Standards Council has approved the reaccreditation of the U.S. Technical Advisory Group to ISO/TC 260, Human resource management, under its recently revised TAG operating procedures (and with ANSI continuing as TAG Administrator), effective May 14, 2020. For additional information, please contact: Ms. Michaela Miller, Program Manager, ISOT, American National Standards Institute, 25 West 43rd Street, 4th Floor, New York, NY 10036; phone: 212.642.8934; e-mail: mmiller@ansi.org.

Information Concerning

American National Standards

Call for Members

AAMI/ISO Standards

Comment Deadline: June 1, 2020

AAMI (www.aami.org) is actively seeking participation in the following standards development work and in the interest categories specified:

AAMI/ISO 8637-1, *Extracorporeal systems for blood purification series, Part 1: Haemodialysers, haemodiafilters, haemofilters and haemoconcentrators*. Specifies requirements for haemodialysers, haemodiafilters, haemofilters and haemoconcentrators, for use in humans. Seeking industry/general interest/regulator members. To apply or obtain additional information, please contact Cliff Bernier at cbernier@aami.org by June 1, 2020.

AAMI/ISO 8637-2, *Extracorporeal systems for blood purification, Part 2: Extracorporeal blood circuit for haemodialysers, haemodiafilters and haemofilters*. Specifies requirements for the blood circuit for devices used in extracorporeal blood filtration therapies such as, but not limited to, haemodialysis, haemodiafiltration, haemofiltration and transducer protectors (integral and non-integral) intended for use in such circuits. Seeking industry/general interest/regulator members. To apply or obtain additional information please contact Cliff Bernier at cbernier@aami.org by June 1, 2020.

AAMI/ISO 8637-3, *Extracorporeal systems for blood purification, Part 3: Plasmafilters*. Specifies requirements and acceptance criteria (including test methods) for safety related parameters for plasmafilters. Specifies requirements for sterile, single-use plasmafilters, intended for use on humans. Seeking industry/general interest/regulator members. To apply or obtain additional information please contact Cliff Bernier at cbernier@aami.org by June 1, 2020.



American National Standards (ANS) – Where to find Procedures, Guidance, Interpretations and More...

Please visit ANSI's website (www.ansi.org) for resources that will help you to understand, administer and participate in the American National Standards (ANS) process. Documents posted at these links are updated periodically as new documents and guidance are developed, whenever ANS-related procedures are revised, and routinely with respect to lists of proposed and approved ANS. The main ANS-related link is www.ansi.org/asd and here are some direct links as well as highlights of information that is available:

- *ANSI Essential Requirements: Due process requirements for American National Standards* (always current edition): www.ansi.org/essentialrequirements
- ANSI Standards Action (weekly public review announcements of proposed ANS and standards developer accreditation applications, listing of recently approved ANS, and proposed revisions to ANS-related procedures): www.ansi.org/standardsaction
- Accreditation information – for potential developers of American National Standards (ANS): www.ansi.org/sdoaccreditation
- ANS Procedures, ExSC Interpretations and Guidance (including a slide deck on how to participate in the ANS process and the BSR-9 form): www.ansi.org/asd
- Lists of ANSI-Accredited Standards Developers (ASDs), Proposed ANS and Approved ANS: www.ansi.org/asd
- American National Standards Key Steps: www.ansi.org/anskeysteps
- American National Standards Value: www.ansi.org/ansvalue
- ANS Web Forms for ANSI-Accredited Standards Developers - PINS, BSR8|108, BSR11, Technical Report: www.ansi.org/PSAWebForms
- Information about standards Incorporated by Reference (IBR): www.ansi.org/ibr
- ANSI - Education and Training: www.standardslearn.org

If you have a question about the ANS process and cannot find the answer quickly, please send an email to psa@ansi.org.

Please also visit Standards Boost Business at www.standardsboostbusiness.org for resources about why standards matter, testimonials, case studies, FAQs and more.

If you are interested in purchasing an American National Standard, please visit <https://webstore.ansi.org/>

Not for publication. This document is part of the NSF International standard development process. This draft text is for circulation for review and/or approval by a NSF Standards Committee and has not been published or otherwise officially adopted. All rights reserved. This document may be reproduced for informational purposes only.

[Note – the recommended changes to the standard which include the current text of the relevant section(s) indicate deletions by use of ~~strikeout~~ and additions by **grey highlighting**. Rationale statements are in *red italics* and only used to add clarity; these statements will NOT be in the finished publication.]

NSF/ANSI Standard for Biosafety Cabinetry

Biosafety Cabinetry: Design, Construction, Performance, and Field Certification

.
.
.

Normative Annex 5 (formerly Annex F)

Field tests

.

N-5.7 Site installation assessment tests

.

N-5.7.3.1.1 Sash alarms

When cabinets are equipped with a sliding sash, an alarm shall be activated when the sash is raised or lowered 1 inch (25 mm) above or below the manufacturer's specified opening height. For cabinets that have been tested and certified to editions of NSF/ANSI 49 earlier than the 2014 edition, alarm activation is only required when the sash is raised 1 inch (25 mm) above the manufacturer's recommended height.

Sash alarm on cabinets:

- shall be tested at the time of alarm verification;
- raise and lower sliding window above and below the manufacturer's recommended height. Audible and visual alarm shall indicate window position above or below ± 1 inch (25 mm); and
- reported values shall be:
 - name of test (sash alarm test); and
 - pass or fail.

.

N-5.7.3.2.1 Exhaust alarm system – Type B1 or B2

- shall be tested at time of alarm verification;

Not for publication. This document is part of the NSF International standard development process. This draft text is for circulation for review and/or approval by a NSF Standards Committee and has not been published or otherwise officially adopted. All rights reserved. This document may be reproduced for informational purposes only.

— reduce exhaust volume by at least 20% once the cabinet is set or certified in its acceptable air-flow range, and verify that audible and visual alarms indicate a loss of exhaust volume ~~within 15 seconds~~. The internal cabinet fan(s) shall be interlocked to shut off ~~within 15 seconds of the~~ with loss of exhaust volume. ~~loss exceeding 20%; and~~ Set alarms as close to 20% as possible to avoid erroneous alarms due to small fluctuations in exhaust volume.

— Measure the static pressure in the duct-work between the cabinet and duct-mounted balancing dampers; and

— reported values shall be:

- name of test (exhaust alarm test);
- duct static pressure; and
- pass or fail.

~~NOTE — For direct connected Type B1 or B2 BSCs, measure the static pressure in the duct-work between the cabinet and duct-mounted balancing dampers.~~

N-5.7.3.2.2 Exhaust alarm system – Type A1 or A2 canopy connection

N-5.7.3.2.2.1 Maintain inflow velocity using canopy connection on Type A1 or Type A2 cabinets:

a) When a canopy connection is not included as an acceptable option in listing for the BSC being certified, complete the test in step b. When a canopy connection is included as an acceptable option in listing for the BSC being certified, the test in step b is not required.

b) After cabinet airflow has been tested to verify it is within the acceptable range, deenergize or block the facility exhaust system from the cabinet. Measure inflow velocity of the cabinet as described in Section N-5.3.3.2. The measured velocity shall be no more than 8 ft/min (0.041 m/s) below the lowest value of the inflow velocity range stated on the cabinet data plate.

N-5.7.3.2.2.2 Containment loss of canopy connection on Type A1 or A2 cabinets:

— shall be tested at time of alarm verification.

— introduce a visible medium source into the canopy air intake(s) while slowly reducing the exhaust volume until there is a loss of capture of the visible medium into the canopy air intake(s). ~~The audible and visual canopy alarms shall respond within 15 s, and the cabinet fan(s) will continue to operate.~~

— reported values shall be:

- name of test (Type A canopy exhaust alarm test); and
- pass or fail.

~~Direct connected Type A1 or A2 cabinets shall not be considered in compliance with the Standard.~~

N-5.7.3.2.3 Exhaust alarm system – Type C1

The canopy connection on a Type C1 BSC that directs its exhaust into the room:

Not for publication. This document is part of the NSF International standard development process. This draft text is for circulation for review and/or approval by a NSF Standards Committee and has not been published or otherwise officially adopted. All rights reserved. This document may be reproduced for informational purposes only.

- shall be tested at the time of alarm verification, and
- introduce a visible medium source into the canopy air intake(s) while slowly reducing the exhaust volume until there is a loss of capture of the visible medium into the canopy air intake(s). ~~The audible and visual canopy alarms shall respond within 15 seconds, and the cabinet fan(s) will continue to operate for a maximum of 5 minutes.~~

The canopy connection on a Type C1 BSC that directs its exhaust into the exhaust duct:

- shall be tested at the time of alarm verification, and
- introduce a visible medium source into the canopy air intake(s) while slowly reducing the exhaust volume until there is a loss of capture of the visible medium into the canopy air intake(s). ~~The audible and visual canopy alarms shall respond within 15 seconds, and the cabinet fan(s) will shut off.~~

The cabinet blowers may continue to operate, directing exhaust air into the duct system for a maximum of 5 minutes, provided the following test is successfully completed:

- measure the inflow velocity using a DIM with the cabinet and facility exhaust system operating normally. Turn off the facility exhaust fan. Do not close any control valves in the ductwork. Wait 15 seconds after the cabinet alarm has activated and measure the inflow velocity again, using a DIM.
- the average inflow velocity, as measured with a DIM after 15 seconds of alarm operation, shall not be reduced more than 10 ft/min from the velocity measured immediately prior to turning off the facility exhaust fan.

~~When Type C1 BSCs are connected to an exhaust system and there is insufficient exhaust volume, the BSCs shall not initiate downflow or exhaust blower startup.~~

Reported values shall be:

- name of test (Type C exhaust alarm test); and
- pass or fail.

N-5.7.3.3 Cabinet alarm systems – Type A1, A2, or C1

When a Type A1, A2, or C1 BSC has an inflow alarm system, its function shall be verified at every certification (see Section N-5.7.3.3.1).

N-5.7.3.3.1 Airflow alarm system - Type A1, A2, or C1

The airflow alarm system on Type A1, A2, or C1 cabinets:

- shall be tested at the time of alarm verification;
- using a DIM to measure inflow, reduce velocity to the manufacturer's designated low alarm point. ~~Audible and visual alarms shall respond within 15 seconds to indicate low airflow alarm; and~~
- reported values shall be:
 - name of test (airflow alarm test); and
 - pass or fail.

Not for publication. This document is part of the NSF International standard development process. This draft text is for circulation for review and/or approval by a NSF Standards Committee and has not been published or otherwise officially adopted. All rights reserved. This document may be reproduced for informational purposes only.

N-5.7.3.3.2 Internal supply / exhaust fan interlock alarm – Type A1, A2, or C1

The supply fan interlock alarm on Type A1, A2, or C1 cabinets:

- shall be tested on Type A1, A2, or C1 cabinets;
- interrupt the operation of the cabinets exhaust fan per manufacturer's instructions. Audible and visual alarm shall respond within 15 seconds as well as the interruption of the cabinet's supply fan; and
- reported values shall be:
 - name of test (Type A fan interlock / alarm test); and
 - pass or fail.

N-5.7.4 Acceptance

N-5.7.4.1 Sash Alarms

- Audible and visual alarm shall indicate window position above or below ± 1 inch (25 mm) F.7.4.2 Exhaust airflow alarms and interlocks
- Shall operate in accordance with the manufacturer's specification.

N-5.7.4.3 Exhaust alarm system Type B1 or B2

- Shall alert audibly, visually and activate the internal blower interlock within 15 seconds of a $\leq 20\%$ loss of exhaust volume.

N-5.7.4.4 Exhaust alarm system Type A1 or A2 Canopy

- The audible and visual canopy alarms shall respond within 15 s, and the cabinet fan(s) will continue to operate.
- Direct connected exhaust systems attached to Type A1 or A2 BSC shall not be considered to be in compliance with the standard.

N-5.7.4.5 Exhaust Alarm System Type C1

- The audible and visual canopy alarms shall respond within 15 seconds, and the cabinet fan(s) will continue to operate for a maximum of 5 minutes.
- The BSC shall not initiate internal downflow and exhaust blowers startup when there is insufficient exhaust volume.

N-5.7.4.6 Airflow alarm system - Type A1, A2, or C1

- Audible and visual alarms shall respond within 15 seconds of the manufacturer's set point to indicate low airflow alarm. Internal supply/exhaust fan interlock alarm Type A1, A2 or C2
- Audible and visual alarm shall respond within 15 seconds as well as the interruption of the cabinet's supply fan.

Rationale: The relocation of the acceptance criteria language to the end of section N-5.7 brings provides uniformity with other tests in this section.

Tracking number 49i154r1
© 2020 NSF International

Revision to NSF/ANSI 49-2019
Issue 154 Revision 1 (April 2020)

Not for publication. This document is part of the NSF International standard development process. This draft text is for circulation for review and/or approval by a NSF Standards Committee and has not been published or otherwise officially adopted. All rights reserved. This document may be reproduced for informational purposes only.

[Note – the recommended changes to the standard which include the current text of the relevant section(s) indicate deletions by use of ~~strikeout~~ and additions by **grey highlighting**. Rationale statements are in *red italics* and only used to add clarity; these statements will NOT be in the finished publication.]

NSF/ANSI Standard
for Biosafety Cabinetry

Biosafety Cabinetry: Design, Construction, Performance, and Field Certification

.
.
.

Normative Annex 5 (formerly Annex F)

Field tests

.

N-5.2 Downflow velocity

.

N-5.2.3 Method: setting nominal set point

The removable equipment nonessential to cabinet operation (acceptable option components) shall be removed prior to setting the nominal set points to replicate the as-manufactured conditions tested by the testing organization when required. The air measurement probe shall be held rigidly in a freestanding fixture that permits accurate positioning and does not distort the airflow pattern (~~ring-stand and clamp~~). This includes a ring-stand and clamp, or manufacturer supplied probe holder, but not hand-holding of the probe.

.
.

N-5.3 Inflow velocity (face velocity) test

.

N-5.3.3 Methods

One of these methods was validated per cabinet model and provided by the manufacturer, which was reviewed and approved by the testing organization. Manufacturer validation procedures contained no fewer than ten replicate tests. The testing organization's approval will be based on review of data and successful reproduction of test results. The validated alternate method is on the manufacturer's data plate. The air measurement probe shall be held rigidly in a freestanding fixture that permits accurate positioning and does not distort the airflow pattern. This includes a ring-stand and clamp, or manufacturer supplied probe holder, but not hand-holding of the probe.

.

Tracking number 49i154r1
© 2020 NSF International

Revision to NSF/ANSI 49-2019
Issue 154 Revision 1 (April 2020)

Not for publication. This document is part of the NSF International standard development process. This draft text is for circulation for review and/or approval by a NSF Standards Committee and has not been published or otherwise officially adopted. All rights reserved. This document may be reproduced for informational purposes only.

.

.

5.12.1 Field certification label

Biosafety cabinets field tested to this Standard shall include the following information:

- date of field certification;
- date cabinet should be field recertified: no later than _____
_____;
- certifier's report number (reference document showing tests performed and results);
- name of certifying company, company website, and telephone number. A street address shall be used if a website is not available;
- unit serial number, ~~certifier's report number (reference document showing tests performed and results);~~ and
- signature of the person who performed the field certification tests.
- Technician NSF listing number, if applicable

***Rationale:** This language explicitly disallows the use of hand-holding of the anemometer during velocity measurement methods, and clarifies the collection of field certification data*

BSR/UL 583, Standard for Safety for Electric-Battery-Powered Industrial Trucks

1. Proposed Revision To Paragraph 17.1.3 To Exempt Lamps In A LVLE Circuit From Mechanical Damage Protection Requirements

17 Lamps, Lamp holders, and Horns

17.1.3 When a bayonet-type lamp holder is employed, the spacing within the lamp holder between live parts of opposite polarity and between live parts and noncurrent-carrying metal parts other than the enclosure shall not be less than 3/64 inch (1.2 mm) measured through air or over the surface of insulating.

Exception: If a lamp is in an LVLE circuit, mechanical damage protection is not required.

2. Proposed Revision To Paragraph 12.1.1 To Specify Wiring That Is Not Exposed To Sulfuric Acid Is Not Required To Be Evaluated

12.1.1 Wiring located within a lead acid battery power source compartment, shall comply with one of the following. The wiring shall be considered with respect to the temperature and conditions of service to which the wiring is to be subjected to in the intended use:

- a) Outline for Battery Lead Wire, UL 2726;
- b) The Standard for Low Voltage Battery Cable, SAE J1127;
- c) The Outline for Low Voltage Battery Cable, UL 4127;
- d) For wiring smaller than 6 AWG, the requirements in 12.1 would apply and the effects of acid exposure need not be evaluated.

Exception: If the wiring within the power source compartment is not exposed to sulfuric acid, the wiring shall comply with the requirements in 12.1 (a) – (h), or 12.1.1 (a) – (d).

3. Proposed Revisions To Paragraph 22.4.1 And Paragraph 22.4.2 To More Closely Align The Temperature Test For Tractors With Correlating Tests In ANSI/ITSDF B56.9

22.4.1 ~~Three~~ Two load configurations, consisting of trailers are to be provided for a tractor as shown below:

- a) Configuration 1 shall be equal to the normal rated ~~draw-bar~~ drawbar pull of the tractor on level surface.
- b) Configuration 2 shall be equal to the normal rated ~~draw-bar~~ drawbar pull of the tractor on the rated grade.

e) ~~Configuration 3 shall consist of empty trailers equal in number to (a) or (b)~~

22.4.2 The tractor is to be operated over the test course using the following sequence per cycle:

- a) The tractor shall operate over the level surface portion of the test course using load configuration 1.
- b) The tractor shall operate over the inclined portion of the test course using load configuration 2.
- c) The tractor shall then operate over the entire test course using load ~~configuration 3~~ unloaded (no trailer).

This cycle is to be repeated, ~~alternating between loaded trailers and unloaded trailers~~, allowing time at the starting point for normal coupling and uncoupling operations. If the length of the test course exceeds 300 feet (91m), the truck is to be stopped and started at intervals of approximately 200 feet (61m). The test course is to be negotiated not less than 6 time per hour. The maximum duration for this test is 8 hours.

Exception: When the truck employs motor regeneration, plugging or a combination of both for stopping, not including the ramp, the truck shall come to a complete stop every 100 ~~ft~~ feet (30.4 m).

UL copyrighted material. Not authorized for further reproduction without prior permission from UL.

BSR/UL 588, Standard for Safety for Seasonal and Holiday Decorative Products

121.2 A product employing a non-polarized attachment plug shall not have a current rating that exceeds 0.60 A.

Exception: A decorative outfit employing up to 3 series- or series-parallel-connected lighting strings is able to have a maximum current rating of 1.8 A.

UL copyrighted material. Not authorized for further reproduction without prior permission from UL.

BSR/UL 1062, Standard for Safety for Unit Substations

17 Service Equipment Use

17.1 A unit substation marked for service equipment use shall be provided with both primary overcurrent protective and disconnection facilities means for the service conductors as well as means for grounding the connecting the grounded service conductor, if one is provided, to the equipment grounding terminal as specified in the Reference Standard for Service Equipment, UL 869A.

17.2 Guarding against inadvertent contact

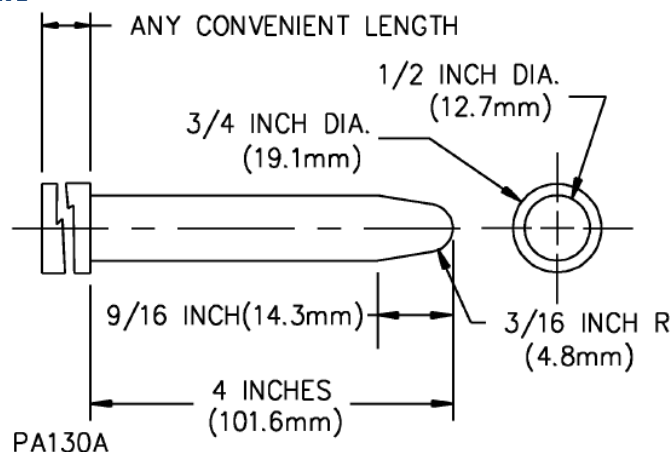
17.2.1 Service equipment shall be constructed such that, with the service disconnect in the off position, no ungrounded uninsulated live part is exposed to inadvertent contact by persons while servicing any field connected load terminal, including a neutral load terminal, a branch circuit equipment grounding terminal, or the neutral disconnect link.

Note: In accordance with the Standard for Electrical Safety in the Workplace, NFPA 70E, an electrically safe work condition should be established prior to working on electrical equipment. Accessibility requirements do not endorse working on energized electrical equipment.

17.2.2 In a device having provision for the connection of a grounded service conductor, the disconnecting means referred to in 17.1 shall simultaneously interrupt the grounded service conductor, or other means shall be provided for disconnecting the grounded service conductor from the interior wiring of the building.

17.2.3 Exposure to inadvertent contact is determined by use of the probe illustrated in Figure 17.1. If restriction to the line-side of the service disconnect is dependent on the installation of field installed service conductors, conductors sized in accordance with 16.12 through 16.14 shall be installed in the terminals when determining exposure to inadvertent contact. All live parts of the line side service terminal, including the connector body and pressure screw shall be evaluated.

Figure 17.1
Straight Probe



BSR/UL 2231-2, Standard for Safety for Personnel Protection Systems for Electric Vehicle (EV) Supply Circuits; Part 2: Particular Requirements for Protection Devices for Use in Charging Systems

1. Revision to Requirements for Isolated Circuit Systems - Capacitor Switching

24.1.3A (NEW) Electric Vehicle Supply or Charging Equipment monitored by an Isolation Monitor Interrupter (IM/I) shall conduct the following tests under the following conditions:

a) For Harmonic Distortion Immunity test of 24.2 tested at any output load within its rated operating range to activate the equipment output.

b) For Capacitor Switching Transient test of 24.9 tested at any output load within its rated operating range to activate the equipment output.

24.2 Harmonic distortion immunity

24.2.1 Annex A, Ref. No. 13 shall be used as the basis for requirements. The unit shall function correctly during exposure to 10 percent harmonic distortion between the 2nd and the 5th harmonics, and 2 percent harmonic distortion between the 6th and the 30th harmonics. Harmonic distortion shall be injected on the input power lines ~~under~~ at full rated load and no-load conditions.

24.9 Capacitor switching transient test

24.9.2 The device shall be connected to a source of rated supply and a at full rated load. The ringing wave described in [24.9.3](#) shall be directly injected onto the input power line using a coupling-decoupling network (CDN) or equivalent.

UL copyrighted material. Not authorized for further reproduction without prior permission from UL.